

PRODUCT FAMILY DATASHEET OPTOTRONIC Phase-cut OTE

Compact constant current LED drivers



AREAS OF APPLICATION

- Optional cable clamp E-style for independent mounting
- Suitable for indoor installations
- Suitable for indoor SELV installations

PRODUCT FAMILY BENEFITS

- Compact housing for mounting in very tight spaces
- Compatible with the most common leading-edge and trailing-edge phase dimmers

PRODUCT FAMILY FEATURES

- Dimmable via leading edge/trailing edge
- Type of protection: IP20

TECHNICAL DATA

Electrical data

Product description	Nominal voltage
OTe 10/220...240/700 PC	220...240 V
OTe 13/220...240/350 PC	220...240 V
OTe 18/220...240/500 PC	220...240 V
OTe 18/220...240/350 PC	220...240 V
OTe 25/220...240/700 PC	220...240 V
OTe 35/220...240/700 PC	220...240 V

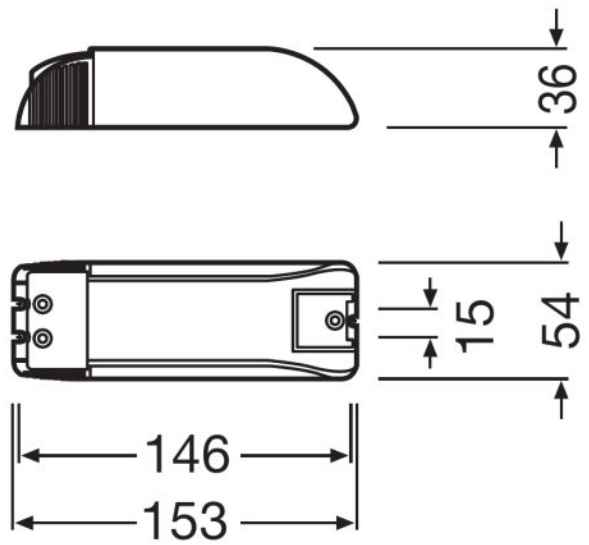
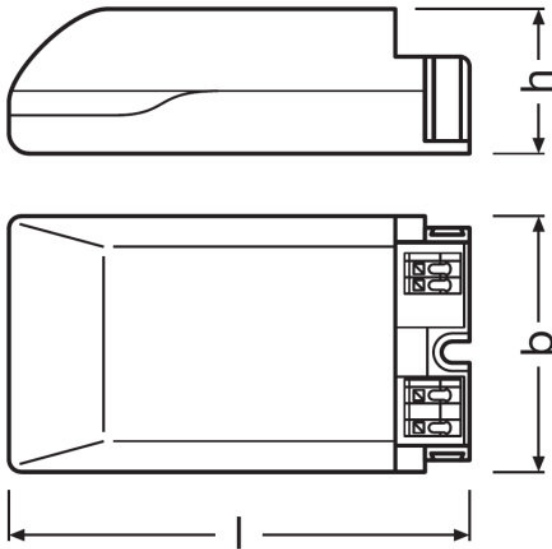
Dimensions & weight

Product description	Length	Width	Height	Mounting hole spacing, length	Cable cross-section, input side	Cable cross-section, output side
OTe 10/220...240/700 PC	95.0 mm	53.0 mm	25.0 mm	- mm	0.75...1.5 mm ^{2 1)}	0.5...1.5 mm ^{2 1)}
OTe 13/220...240/350 PC	95.0 mm	53.0 mm	25.0 mm	- mm	0.75...1.5 mm ^{2 1)}	0.5...1.5 mm ^{2 1)}
OTe 18/220...240/500 PC	95.0 mm	53.0 mm	30.0 mm	- mm	0.75...1.5 mm ^{2 1)}	0.5...1.5 mm ^{2 1)}
OTe 18/220...240/350 PC	95.0 mm	53.0 mm	30.0 mm	- mm	0.75...1.5 mm ^{2 1)}	0.5...1.5 mm ^{2 1)}
OTe 25/220...240/700 PC	95.0 mm	53.0 mm	30.0 mm	- mm	0.75...1.5 mm ^{2 1)}	0.5...1.5 mm ^{2 1)}
OTe 35/220...240/700 PC	153.0 mm	54.0 mm	36.0 mm	146.0 mm	0.75...2.5 mm ^{2 1)}	0.5...2.5 mm ^{2 1)}

Product description	Wire preparation length, input side	Product weight	Wire preparation length, output side
OTe 10/220...240/700 PC	8.0...9.0 mm	81.00 g	8.0...9.0 mm
OTe 13/220...240/350 PC	8.0...9.0 mm	81.00 g	8.0...9.0 mm
OTe 18/220...240/500 PC	8.0...9.0 mm	93.00 g	8.0...9.0 mm
OTe 18/220...240/350 PC	8.0...9.0 mm	93.00 g	8.0...9.0 mm
OTe 25/220...240/700 PC	8.0...9.0 mm	93.00 g	8.0...9.0 mm
OTe 35/220...240/700 PC	8.0 mm	165.00 g	6.0 mm

¹⁾ Flexible

Product line drawing



OTe 10/220...240/700 PC, OTe 13/220...240/350 PC, OTe 18/220...240/500 PC, OTe 18/220...240/350 PC, OTe 25/220...240/700 PC

OTe 35/220...240/700 PC

Colors & materials

Product description	Casing material
OTe 10/220...240/700 PC	Plastic
OTe 13/220...240/350 PC	Plastic
OTe 18/220...240/500 PC	Plastic
OTe 18/220...240/350 PC	Plastic
OTe 25/220...240/700 PC	Plastic
OTe 35/220...240/700 PC	Plastic

Temperatures & operating conditions

Product description	Ambient temperature range	Maximum temperature at tc test point	Max.housing temperature in case of fault	Permitted rel. humidity during operation
OTe 10/220...240/700 PC	-20...+55 °C	80 °C ¹⁾	110 °C	5...85 % ²⁾
OTe 13/220...240/350 PC	-20...+55 °C	85 °C ¹⁾	110 °C	5...85 % ²⁾
OTe 18/220...240/500 PC	-20...+55 °C	75 °C ¹⁾	110 °C	5...85 % ²⁾
OTe 18/220...240/350 PC	-20...+50 °C	75 °C ¹⁾	110 °C	5...85 % ²⁾
OTe 25/220...240/700 PC	-20...+50 °C	75 °C ¹⁾	110 °C	5...85 % ²⁾
OTe 35/220...240/700 PC	-20...+45 °C	75 °C ¹⁾	110 °C	5...85 % ²⁾

¹⁾ Maximum at the Tc-point

²⁾ Maximum 56 days/year at 85 %

Lifespan

Product description	ECG lifetime
OTe 10/220...240/700 PC	50000 h ¹⁾
OTe 13/220...240/350 PC	50000 h ²⁾
OTe 18/220...240/500 PC	50000 h ¹⁾
OTe 18/220...240/350 PC	50000 h ¹⁾
OTe 25/220...240/700 PC	50000 h ¹⁾
OTe 35/220...240/700 PC	50000 h ³⁾

¹⁾ At T_{case} = 70°C at T_c point / 10% failure rate

²⁾ At T_{case} = 75°C at T_c point / 10% failure rate

³⁾ At T_{case} = 65°C at T_c point / 10% failure rate

Additional product data

Product description	Encapsulated
OTe 10/220...240/700 PC	No
OTe 13/220...240/350 PC	No
OTe 18/220...240/500 PC	No
OTe 18/220...240/350 PC	No
OTe 25/220...240/700 PC	No
OTe 35/220...240/700 PC	No

Capabilities

Product description	Dimmable	Dimming interface	Dimming range	Dimming method
OTe 10/220...240/700 PC	Yes	Phase Cut ¹⁾	10...100 %	Amplitude Modulation
OTe 13/220...240/350 PC	Yes	Phase Cut ²⁾	10...100 %	Amplitude Modulation
OTe 18/220...240/500 PC	Yes	Phase Cut ²⁾	10...100 %	Amplitude Modulation
OTe 18/220...240/350 PC	Yes	Phase Cut ²⁾	10...100 %	Amplitude Modulation
OTe 25/220...240/700 PC	Yes	Phase Cut ²⁾	10...100 %	Amplitude Modulation
OTe 35/220...240/700 PC	Yes	Phase Cut ²⁾	10...100 %	Amplitude Modulation

Product description	Overheating protection	Overload protection	Short-circuit protection	No-load proof
OTe 10/220...240/700 PC	Automatic reversible	Automatic reversible	Automatic reversible	Yes
OTe 13/220...240/350 PC	Automatic reversible	Automatic reversible	Automatic reversible	Yes
OTe 18/220...240/500 PC	Automatic reversible	Automatic reversible	Automatic reversible	Yes
OTe 18/220...240/350 PC	Automatic reversible	Automatic reversible	Automatic reversible	Yes
OTe 25/220...240/700 PC	Automatic reversible	Automatic reversible	Automatic reversible	Yes
OTe 35/220...240/700 PC	Automatic reversible	Automatic reversible	Automatic reversible	Yes

Product description	Max. cable length to lamp/LED module	Suitable for fixtures with prot. class	Type of connection, output side
OTe 10/220...240/700 PC	2.0 m	I / II	Push terminal

Product description	Max. cable length to lamp/LED module	Suitable for fixtures with prot. class	Type of connection, output side
OTe 13/220...240/350 PC	2.0 m	I / II	Push terminal
OTe 18/220...240/500 PC	2.0 m	I / II	Push terminal
OTe 18/220...240/350 PC	2.0 m	I / II	Push terminal
OTe 25/220...240/700 PC	2.0 m	I / II	Push terminal
OTe 35/220...240/700 PC	2.0 m	I / II	Push terminal

1) Trailing edge

2) Leading edge

Certificates & standards

Product description	Approval marks – approval
OTe 10/220...240/700 PC	CE / ENEC 10 / VDE / CB
OTe 13/220...240/350 PC	CE / ENEC 10 / VDE / CB
OTe 18/220...240/500 PC	CE / ENEC 10 / VDE / CB
OTe 18/220...240/350 PC	CE / ENEC 10 / VDE / CB
OTe 25/220...240/700 PC	CE / ENEC 10 / VDE / CB
OTe 35/220...240/700 PC	CE / ENEC 10 / VDE / CB / C-Tick

Product description	Standards	Protection class	Type of protection
OTe 10/220...240/700 PC	Acc. to IEC 61347-1/Acc. to IEC 61347-2-13/Acc. to IEC 62384/Acc. to CISPR 15/Acc. to IEC 61000-3-2/Acc. to IEC 61000-3-3/Acc. to IEC 61547	II	IP20
OTe 13/220...240/350 PC	Acc. to IEC 61347-1/Acc. to IEC 61347-2-13/Acc. to IEC 62384/Acc. to CISPR 15/Acc. to IEC 61000-3-2/Acc. to IEC 61000-3-3/Acc. to IEC 61547	II	IP20
OTe 18/220...240/500 PC	Acc. to IEC 61347/Acc. to IEC 61347-2-13/Acc. to IEC 62384/Acc. to CISPR 15/Acc. to IEC 61000-3-2/Acc. to IEC 61000-3-3/Acc. to IEC 61547	II	IP20
OTe 18/220...240/350 PC	Acc. to IEC 61347-1/Acc. to IEC 61347-2-13/Acc. to IEC 62384/Acc. to CISPR 15/Acc. to IEC 61000-3-2/Acc. to IEC 61000-3-3/Acc. to IEC 61547	II	IP20
OTe 25/220...240/700 PC	Acc. to EN 61347-1/Acc. to EN 61347-2-13/Acc. to EN 62384/Acc. to CISPR 15/Acc. to IEC 61000-3-2/Acc. to IEC 61000-3-3/Acc. to IEC 61347	II	IP20
OTe 35/220...240/700 PC	Acc. to IEC 61347-1/Acc. to IEC 61347-2-13/Acc. to IEC 62384/Acc. to CISPR 15/Acc. to IEC 61000-3-2/Acc. to IEC 61000-3-3/Acc. to IEC 61547	II	IP20

Logistical data

Product description	Temperature range at storage
OTe 10/220...240/700 PC	-25...75 °C
OTe 13/220...240/350 PC	-25...75 °C
OTe 18/220...240/500 PC	-25...75 °C
OTe 18/220...240/350 PC	-25...75 °C
OTe 25/220...240/700 PC	-25...75 °C
OTe 35/220...240/700 PC	-40...+85 °C

APPLICATION ADVICE

For more detailed application information and graphics please see product datasheet.












SALES AND TECHNICAL SUPPORT

Sales and Technical Support www.ledvance.com

COUNTRY SPECIFIC INFORMATION

Product description	Product code	METEL-Code	SEG-No.	STK number	UK Org
OTe 10/220...240/700 PC	4052899105300	-	-	4030349	-
OTe 13/220...240/350 PC	4052899105324	-	7980871	4030292	-
OTe 18/220...240/350 PC	4052899105348	-	7980872	4030293	-
OTe 25/220...240/700 PC	4052899105386	-	7980779	4030350	-
OTe 35/220...240/700 PC	4008321825520	-	7980591	4030351	-

DOWNLOAD DATA

File
 Product Datasheet 496532_OT Technical DS OTe 10 700 PC
 Certificates VDE ENEC Certificate 40038447
 Certificates VDE EMC Certificate 40038482
 Certificates 496535_CB report OTe 10 700 PC and OTe 13 350 PC
 Declarations of conformity EU Declaration of Conformity 3365230
 Installation/Operation notice 544631_OT PC dimmer list
 Installation guide 501498_OTe 10220-240700 PC
 CAD data 3-dim 377012_OTe 10-13 PC -cable clamp
 CAD data 3-dim 377013_OTe 10-13 PC -housing
 CAD data 3-dim 377014_OTe 10-13 PC -housing with cable clamp
 Product Datasheet 496533_OT Technical DS OTe 13 350 PC

	Installation guide 501497_OTe 13220-240350 PC
	Certificates 503096_CB report OTe 25 700 PC - OTe 18 350 PC - OTe 18 500
	Installation guide 501495_OTe 18220-240500 PC
	CAD data 3-dim 377015_OTe 18-25 PC -cable clamp
	CAD data 3-dim 377016_OTe 18-25 PC -housing
	CAD data 3-dim 377017_OTe 18-25 PC -housing with cable clamp
	Installation guide 501496_OTe 18220-240350 PC
	Installation guide 501494_OTe 25220-240700 PC
	Product Datasheet 342830_Datasheet OTe 35220-240700 PC
	Certificates OTE 35 700 PC CB DE1 63216 040320
	Declarations of conformity 727840_Declaration OTe 35
	Declarations of conformity EU Declaration of Conformity 3668420
	Installation/Operation notice 343883_Dimmer Compatibility List_OTe 35220-240700 PC
	CAD data 3-dim 343465_CAD OTe 35220-240700 PC

LOGISTICAL DATA

Product code	Packaging unit (Pieces/Unit)	Dimensions (length x width x height)	Gross weight	Volume
4052899105317	Shipping carton box 20	284 mm x 207 mm x 90 mm	2270.00 g	5.29 dm ³
4052899105331	Shipping carton box 20	284 mm x 207 mm x 90 mm	2270.00 g	5.29 dm ³
4052899105379	Shipping carton box 20	284 mm x 207 mm x 100 mm	2478.00 g	5.88 dm ³
4052899105355	Shipping carton box 20	284 mm x 207 mm x 100 mm	2478.00 g	5.88 dm ³
4052899105393	Shipping carton box 20	284 mm x 207 mm x 100 mm	2478.00 g	5.88 dm ³
4008321825537	Shipping carton box 10	276 mm x 98 mm x 166 mm	1812.00 g	4.49 dm ³

The mentioned product code describes the smallest quantity unit which can be ordered. One shipping unit can contain one or more single products. When placing an order, for the quantity please enter single or multiples of a shipping unit.

ACCESSORIES OPTIONAL

Product description	Accessory name	Accessory code
OTe 10/220...240/700 PC	OPTOTRONIC Cable Clamp, E-STYLE	▶ 4052899095861
OTe 13/220...240/350 PC	OPTOTRONIC Cable Clamp, E-STYLE	▶ 4052899095861
OTe 18/220...240/500 PC	OPTOTRONIC Cable Clamp, E-STYLE	▶ 4052899095861
OTe 18/220...240/350 PC	OPTOTRONIC Cable Clamp, E-STYLE	▶ 4052899095861
OTe 25/220...240/700 PC	OPTOTRONIC Cable Clamp, E-STYLE	▶ 4052899095861

DISCLAIMER

Subject to change without notice. Errors and omission excepted. Always make sure to use the most recent release.