

PRODUCT FAMILY DATASHEET

LED SUPERSTAR MR16 12 V

Dimmable low-voltage LED reflector lamps MR16 with retrofit pin base



AREAS OF APPLICATION

- Shops
- Hospitality
- Museums, art galleries
- Residential interiors
- As a downlight for marking walkways, doors, stairs, etc.
- Spotlighting for accents
- Display cabinets and shop windows
- Spotlighting heat-sensitive objects such as food, plants, etc.
- Outdoor applications only in suitable luminaires

PRODUCT BENEFITS

- Very long lifetime of up to 25,000 h
- Low energy consumption
- High color consistency thanks to narrow binning
- Easy replacement of halogen lamps due to compact full glass design and single optic
- Ideal for economical spotlighting

PRODUCT FEATURES

- LED alternative to conventional low voltage lamps
- Dimmable (with many common dimmers, see also www.ledvance.com/dim)
- Mercury-free lamps



TECHNICAL DATA

Product description	Electrical data					Photometrical data			
	Nominal wattage	Nominal voltage	Claimed equiv. conventional lamp power	Max. lamp no. on circuit break. 10 A (B)	Max. lamp no. on circuit break. 16 A (B)	Nominal luminous flux	Rated luminous flux	Lumen main.fact.at end of nom.life time	Light color (designation)
SST MR16 20 36° 3.4 W/2700K GU5.3 1)	3.40 W	12 V	20 W	26	42	230 lm	230 lm	0.70	Warm White
SST MR16 20 36° 3.4 W/4000K GU5.3 1)	3.40 W	12 V	20 W	26	42	230 lm	230 lm	0.70	Cool White
SST MR16 20 36° 3.4 W/2700K GU5.3 1)	3.40 W	12 V	20 W	29	48	230 lm	230 lm	0.70	Warm White
SST MR16 35 36° 5 W/2700K GU5.3 1)	5.00 W	12 V	35 W	27	44	350 lm	350 lm	0.70	Warm White
SST MR16 35 36° 5 W/2700K GU5.3 1)	5.00 W	12 V	35 W	27	43	350 lm	350 lm	0.70	Warm White
SST MR16 35 36° 5 W/4000K GU5.3 1)	5.00 W	12 V	35 W	28	45	350 lm	350 lm	0.70	Cool White
SST MR16 35 36° 4.9 W/4000K GU5.3 1)	4.90 W	12 V	35 W	27	44	350 lm	350 lm	0.70	Cool White
SST MR16 35 36° 4.9 W/2700K GU5.3 1)	4.90 W	12 V	35 W	27	44	350 lm	350 lm	0.70	Warm White
SST MR16 50 36° 7.8 W/2700K GU5.3 1)	7.80 W	12 V	50 W	20	33	621 lm	621 lm	0.70	Warm White
SST MR16 50 36° 7.8 W/4000K GU5.3 1)	7.80 W	12 V	50 W	20	33	621 lm	621 lm	0.70	Cool White
SST MR16 50 36° 8 W/4000K GU5.3 1)	8.00 W	12 V	50 W	22	36	621 lm	621 lm	0.70	Cool White
SST MR16 50 36° 8 W/2700K GU5.3 1)	8.00 W	12 V	50 W	22	36	621 lm	621 lm	0.70	Warm White

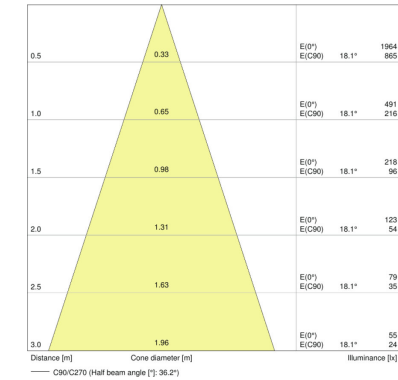
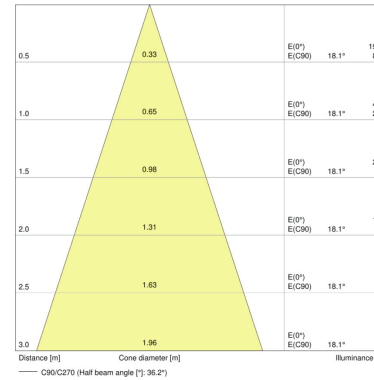
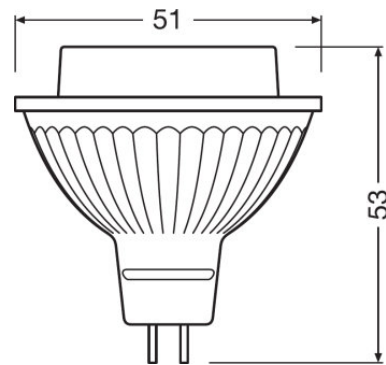
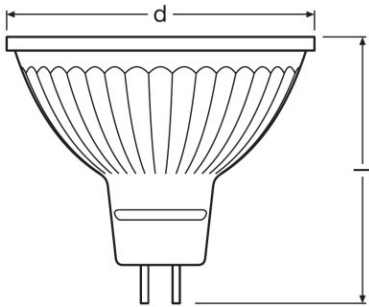
Product description	Color temperature	Luminous flux	Color rendering index Ra	Light technical data	Dimensions & weight		Temperatures & operating conditions	Lifespan	
				Warm-up time (60 %)	Overall length	Diameter	Ambient temperature range	Nominal lamp life time	Number of switching cycles
SST MR16 20 36° 3.4 W/2700K GU5.3 1)	2700 K	230 lm	≥80	< 0.50 s	46.0 mm	51.0 mm	-20...+40 °C	25000 h	100000

Product description	Color temperature	Luminous flux	Color rendering index Ra	Light technical data	Dimensions & weight		Temperatures & operating conditions	Lifespan	
				Warm-up time (60 %)	Overall length	Diameter	Ambient temperature range	Nominal lamp life time	Number of switching cycles
SST MR16 20 36° 3.4 W/4000K GU5.3 1)	4000 K	230 lm	≥80	< 0.50 s	46.0 mm	51.0 mm	-20...+40 °C	25000 h	100000
SST MR16 20 36° 3.4 W/2700K GU5.3 1)	2700 K	230 lm	≥90	< 0.50 s	46.0 mm	51.0 mm	-20...+40 °C	25000 h	100000
SST MR16 35 36° 5 W/2700K GU5.3 1)	2700 K	350 lm	≥80	< 0.50 s	46.0 mm	51.0 mm	-20...+40 °C	25000 h	100000
SST MR16 35 36° 5 W/2700K GU5.3 1)	2700 K	350 lm	≥80	< 0.50 s	46.0 mm	51.0 mm	-20...+40 °C	25000 h	100000
SST MR16 35 36° 5 W/4000K GU5.3 1)	4000 K	350 lm	≥80	< 0.50 s	46.0 mm	51.0 mm	-20...+40 °C	25000 h	100000
SST MR16 35 36° 4.9 W/4000K GU5.3 1)	4000 K	350 lm	≥90	< 0.50 s	46.0 mm	51.0 mm	-20...+40 °C	25000 h	100000
SST MR16 35 36° 4.9 W/2700K GU5.3 1)	2700 K	350 lm	≥90	< 0.50 s	46.0 mm	51.0 mm	-20...+40 °C	25000 h	100000
SST MR16 50 36° 7.8 W/2700K GU5.3 1)	2700 K	621 lm	≥80	< 0.50 s	53.0 mm	51.0 mm	-20...+40 °C	25000 h	100000
SST MR16 50 36° 7.8 W/4000K GU5.3 1)	4000 K	621 lm	≥80	< 0.50 s	53.0 mm	51.0 mm	-20...+40 °C	25000 h	100000
SST MR16 50 36° 8 W/4000K GU5.3 1)	4000 K	621 lm	≥90	< 0.50 s	46.0 mm	51.0 mm	-20...+40 °C	25000 h	100000
SST MR16 50 36° 8 W/2700K GU5.3 1)	2700 K	621 lm	≥90	< 0.50 s	46.0 mm	51.0 mm	-20...+40 °C	25000 h	100000

Product description	Additional product data		Capabilities	Certificates & standards		Country-specific categorizations
	Base (standard designation)	Mercury-free	Dimmable	Energy efficiency class	Energy consumption	ILCOS
SST MR16 20 36° 3.4 W/2700K GU5.3 1)	GU5.3	Yes	Yes	A+	4 kWh/1000h	DRR-3/827-12-GU5.3-50/36
SST MR16 20 36° 3.4 W/4000K GU5.3 1)	GU5.3	Yes	Yes	A+	4 kWh/1000h	DRR-3/840-12-GU5.3-50/36
SST MR16 20 36° 3.4 W/2700K GU5.3 1)	GU5.3	Yes	Yes	A+	4 kWh/1000h	
SST MR16 35 36° 5 W/2700K GU5.3 1)	GU5.3	Yes	Yes	A+	5 kWh/1000h	DRR-5/827-12-GU5.3-50/36

Product description	Additional product data		Capabilities	Certificates & standards		Country-specific categorizations
	Base (standard designation)	Mercury-free	Dimmable	Energy efficiency class	Energy consumption	ILCOS
SST MR16 35 36° 5 W/2700K GU5.3 1)	GU5.3	Yes	Yes	A+	6 kWh/1000h	DRR-5/827-12-GU5.3-50/36
SST MR16 35 36° 5 W/4000K GU5.3 1)	GU5.3	Yes	Yes	A+	5 kWh/1000h	DRR-5/840-12-GU5.3-50/36
SST MR16 35 36° 4.9 W/4000K GU5.3 1)	GU5.3	Yes	Yes	A+	6 kWh/1000h	
SST MR16 35 36° 4.9 W/2700K GU5.3 1)	GU5.3	Yes	Yes	A+	6 kWh/1000h	
SST MR16 50 36° 7.8 W/2700K GU5.3 1)	GU5.3	Yes	Yes	A+	8 kWh/1000h	DRR-7,8/827-12-GU5,3-50/36
SST MR16 50 36° 7.8 W/4000K GU5.3 1)	GU5.3	Yes	Yes	A+	8 kWh/1000h	DRR-7,8/840-12-GU5,3-50/36
SST MR16 50 36° 8 W/4000K GU5.3 1)	GU5.3	Yes	Yes	A	9 kWh/1000h	
SST MR16 50 36° 8 W/2700K GU5.3 1)	GU5.3	Yes	Yes	A	9 kWh/1000h	

1) All technical parameters apply to the entire lamp/Due to the complex production process for light-emitting diodes, the typical values shown for the technical LED parameters are purely statistical values that do not necessarily match the actual technical parameters of each individual product, which can vary from the typical value

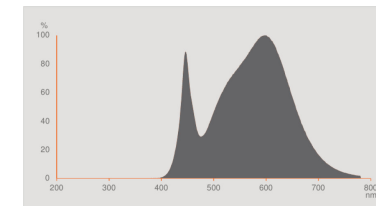
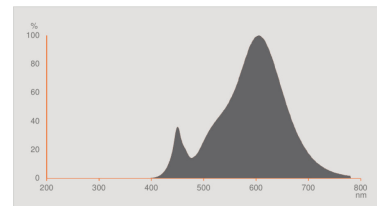
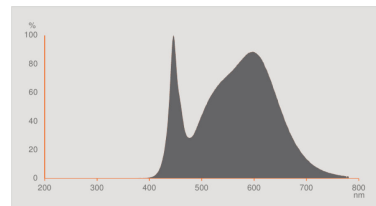
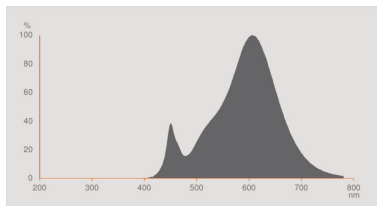


SST MR16 20 36° 3.4 W/2700K GU5.3,
 SST MR16 20 36° 3.4 W/4000K GU5.3,
 SST MR16 20 36° 3.4 W/2700K GU5.3,
 SST MR16 35 36° 5 W/2700K GU5.3,
 SST MR16 35 36° 5 W/2700K GU5.3,
 SST MR16 35 36° 5 W/4000K GU5.3,
 SST MR16 35 36° 4.9 W/4000K GU5.3,
 SST MR16 35 36° 4.9 W/2700K GU5.3,
 SST MR16 50 36° 8 W/4000K GU5.3,
 SST MR16 50 36° 8 W/2700K GU5.3

SST MR16 50 36° 7.8 W/2700K GU5.3,
 SST MR16 50 36° 7.8 W/4000K GU5.3

SST MR16 20 36° 3.4 W/2700K GU5.3

SST MR16 20 36° 3.4 W/4000K GU5.3



SST MR16 35 36° 5 W/2700K GU5.3,
SST MR16 35 36° 5 W/2700K GU5.3

SST MR16 35 36° 5 W/4000K GU5.3

SST MR16 50 36° 7.8 W/2700K GU5.3

SST MR16 50 36° 7.8 W/4000K GU5.3

APPLICATION ADVICE

For more detailed application information and graphics please see product datasheet.

LOGISTICAL DATA

Product code	Packaging unit (Pieces/Unit)	Dimensions (length x width x height)	Gross weight	Volume
4052899390041	Shipping carton box 10	290 mm x 254 mm x 134 mm	613.00 g	9.87 dm ³
4052899390065	Shipping carton box 10	290 mm x 254 mm x 134 mm	620.00 g	9.87 dm ³
4058075431607	Shipping carton box 10	290 mm x 254 mm x 134 mm	623.00 g	9.87 dm ³
4058075431805	Shipping carton box 10	257 mm x 110 mm x 70 mm	501.00 g	1.98 dm ³
4058075112650	Shipping carton box 10	266 mm x 111 mm x 71 mm	488.00 g	2.10 dm ³

Product code	Packaging unit (Pieces/Unit)	Dimensions (length x width x height)	Gross weight	Volume
4052899390089	Shipping carton box 10	290 mm x 254 mm x 134 mm	699.00 g	9.87 dm ³
4052899390102	Shipping carton box 10	290 mm x 254 mm x 134 mm	622.00 g	9.87 dm ³
4058075431461	Shipping carton box 10	290 mm x 254 mm x 134 mm	623.00 g	9.87 dm ³
4058075431843	Shipping carton box 10	257 mm x 110 mm x 70 mm	501.00 g	1.98 dm ³
4058075431522	Shipping carton box 10	290 mm x 254 mm x 134 mm	623.00 g	9.87 dm ³
4052899390003	Shipping carton box 10	290 mm x 254 mm x 134 mm	979.00 g	9.87 dm ³
4052899390126	Shipping carton box 10	290 mm x 254 mm x 134 mm	960.00 g	9.87 dm ³
4058075433632	Shipping carton box 10	290 mm x 254 mm x 134 mm	733.00 g	9.87 dm ³
4058075433755	Shipping carton box 10	266 mm x 111 mm x 71 mm	633.00 g	2.10 dm ³
4058075433656	Shipping carton box 10	290 mm x 254 mm x 134 mm	713.00 g	9.87 dm ³
4058075433731	Shipping carton box 10	266 mm x 111 mm x 71 mm	613.00 g	2.10 dm ³

The mentioned product code describes the smallest quantity unit which can be ordered. One shipping unit can contain one or more single products. When placing an order, for the quantity please enter single or multiples of a shipping unit.

REFERENCES / LINKS

For dimming conformity see

▶ www.ledvance.com/dim

For further products and actual information concerning LED lamps see

▶ www.ledvance.com/ledlamps

For Guarantee see

▶ www.ledvance.com/guarantee

Further information see

▶ www.ledvance.com/low-voltage-ledlamps

DISCLAIMER

Subject to change without notice. Errors and omission excepted. Always make sure to use the most recent release.