

# PRODUCT FAMILY DATASHEET

## LED STAR MR16 12 V

Low-voltage LED reflector lamps MR16 with retrofit pin base



---

### AREAS OF APPLICATION

- Shops
- Hospitality
- Museums, art galleries
- Residential interiors
- As a downlight for marking walkways, doors, stairs, etc.
- Spotlighting for accents
- Display cabinets and shop windows
- Spotlighting heat-sensitive objects such as food, plants, etc.
- Outdoor applications only in suitable luminaires

---

### PRODUCT BENEFITS

- Low energy consumption
- Easy replacement of halogen lamps due to compact full glass design and single optic
- Instant 100 % light, no warm-up time
- Ideal for economical spotlighting

---

### PRODUCT FEATURES

- LED alternative to low voltage halogen lamps
- Mercury-free lamps



TECHNICAL DATA

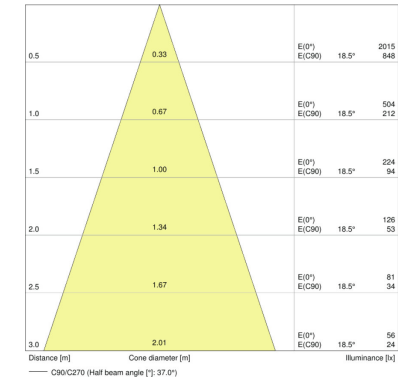
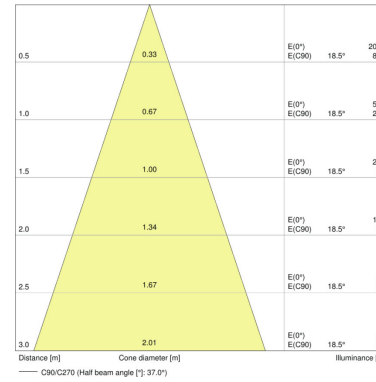
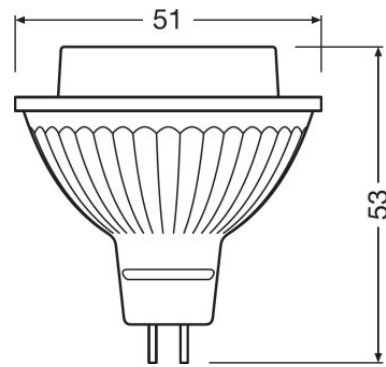
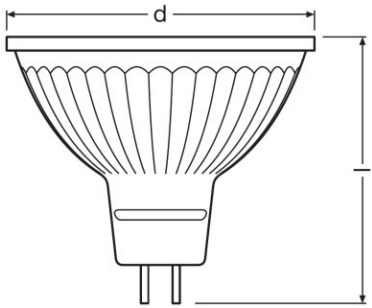
Product description	Electrical data					Photometrical data			
	Nominal wattage	Nominal voltage	Claimed equiv. conventional lamp power	Max. lamp no. on circuit break. 10 A (B)	Max. lamp no. on circuit break. 16 A (B)	Nominal luminous flux	Rated luminous flux	Lumen main.fact.at end of nom.life time	Light color (designation)
ST MR16 20 36° 2.9 W/2700K GU5.3 <sup>1)</sup>	2.90 W	12 V	20 W	30	48	230 lm	230 lm	0.70	Warm White
ST MR16 20 36° 2.9 W/4000K GU5.3 <sup>1)</sup>	2.90 W	12 V	20 W	21	35	230 lm	230 lm	0.70	Cool White
ST MR16 35 36° 4.6 W/2700K GU5.3 <sup>1)</sup>	4.60 W	12 V	35 W	21	35	350 lm	350 lm	0.70	Warm White
ST MR16 35 36° 4.6 W/2700K GU5.3 <sup>1)</sup>	4.60 W	12 V	35 W	25	40	350 lm	350 lm	0.70	Warm White
ST MR16 35 36° 4.6 W/4000K GU5.3 <sup>1)</sup>	4.60 W	12 V	35 W	21	35	350 lm	350 lm	0.70	Cool White
ST MR16 12 V 50 36° 7.2 W/2700K GU5.3 <sup>1)</sup>	7.20 W	12 V	50 W	20	33	621 lm	621 lm	0.70	Warm White
ST MR16 12 V 50 36° 7.2 W/4000K GU5.3 <sup>1)</sup>	7.20 W	12 V	50 W	20	33	621 lm	621 lm	0.70	Cool White

Product description	Color temperature	Luminous flux	Color rendering index Ra	Light technical data	Dimensions & weight		Temperatures & operating conditions	Lifespan	
				Warm-up time (60 %)	Overall length	Diameter	Ambient temperature range	Nominal lamp life time	Number of switching cycles
ST MR16 20 36° 2.9 W/2700K GU5.3 <sup>1)</sup>	2700 K	230 lm	≥80	< 0.50 s	46.0 mm	51.0 mm	-20...+40 °C	10000 h	100000
ST MR16 20 36° 2.9 W/4000K GU5.3 <sup>1)</sup>	4000 K	230 lm	≥80	< 0.50 s	46.0 mm	51.0 mm	-20...+40 °C	15000 h	100000
ST MR16 35 36° 4.6 W/2700K GU5.3 <sup>1)</sup>	2700 K	350 lm	≥80	< 0.50 s	46.0 mm	51.0 mm	-20...+40 °C	15000 h	100000
ST MR16 35 36° 4.6 W/2700K GU5.3 <sup>1)</sup>	2700 K	350 lm	≥80	< 0.50 s	46.0 mm	51.0 mm	-20...+40 °C	15000 h	100000
ST MR16 35 36° 4.6 W/4000K GU5.3 <sup>1)</sup>	4000 K	350 lm	≥80	< 0.50 s	46.0 mm	51.0 mm	-20...+40 °C	15000 h	100000

Product description	Color temperature	Luminous flux	Color rendering index Ra	Light technical data	Dimensions & weight		Temperatures & operating conditions	Lifespan	
				Warm-up time (60 %)	Overall length	Diameter	Ambient temperature range	Nominal lamp life time	Number of switching cycles
ST MR16 12 V 50 36° 7.2 W/2700K GU5.3 <sup>1)</sup>	2700 K	621 lm	≥80	< 0.50 s	53.0 mm	51.0 mm	-20...+40 °C	15000 h	100000
ST MR16 12 V 50 36° 7.2 W/4000K GU5.3 <sup>1)</sup>	4000 K	621 lm	≥80	< 0.50 s	53.0 mm	51.0 mm	-20...+40 °C	15000 h	100000

Product description	Additional product data		Capabilities	Certificates & standards		Country-specific categorizations
	Base (standard designation)	Mercury-free	Dimmable	Energy efficiency class	Energy consumption	ILCOS
ST MR16 20 36° 2.9 W/2700K GU5.3 <sup>1)</sup>	GU5.3	Yes	No	A+	3 kWh/1000h	DRR-2,9/827-12-GU5,3-50/36
ST MR16 20 36° 2.9 W/4000K GU5.3 <sup>1)</sup>	GU5.3	Yes	No	A+	3 kWh/1000h	DRR-2,9/840-12-GU5,3-50/36
ST MR16 35 36° 4.6 W/2700K GU5.3 <sup>1)</sup>	GU5.3	Yes	No	A+	5 kWh/1000h	DRR-4,6/827-12-GU5,3-50/36
ST MR16 35 36° 4.6 W/2700K GU5.3 <sup>1)</sup>	GU5.3	Yes	No	A+	6 kWh/1000h	DRR-4,6/827-12-GU5,3-50/36
ST MR16 35 36° 4.6 W/4000K GU5.3 <sup>1)</sup>	GU5.3	Yes	No	A+	5 kWh/1000h	DRR-4,6/840-12-GU5,3-50/36
ST MR16 12 V 50 36° 7.2 W/2700K GU5.3 <sup>1)</sup>	GU5.3	Yes	No	A+	8 kWh/1000h	DRR-7,2/827-12-GU5,3-50/36
ST MR16 12 V 50 36° 7.2 W/4000K GU5.3 <sup>1)</sup>	GU5.3	Yes	No	A+	8 kWh/1000h	DRR-7,2/840-12-GU5,3-50/36

<sup>1)</sup> All technical parameters apply to the entire lamp/Due to the complex production process for light-emitting diodes, the typical values shown for the technical LED parameters are purely statistical values that do not necessarily match the actual technical parameters of each individual product, which can vary from the typical value

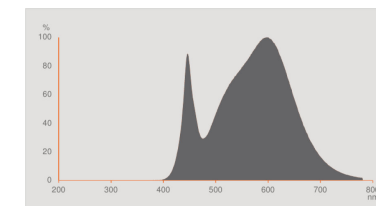
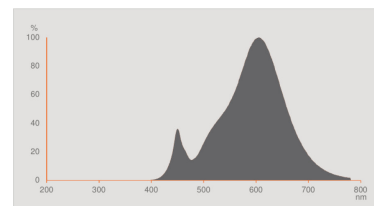
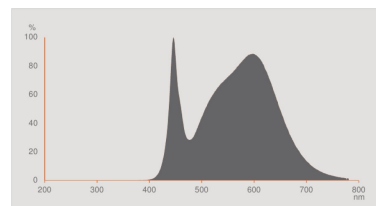
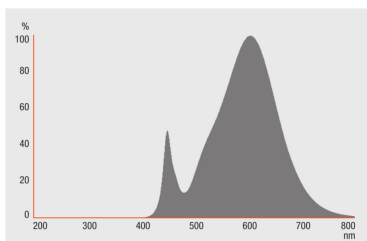


ST MR16 20 36° 2.9 W/2700K GU5.3, ST  
MR16 20 36° 2.9 W/4000K GU5.3, ST  
MR16 35 36° 4.6 W/2700K GU5.3, ST  
MR16 35 36° 4.6 W/2700K GU5.3, ST  
MR16 35 36° 4.6 W/4000K GU5.3

ST MR16 12 V 50 36° 7.2 W/2700K  
GU5.3, ST MR16 12 V 50 36° 7.2  
W/4000K GU5.3

ST MR16 20 36° 2.9 W/2700K GU5.3

ST MR16 20 36° 2.9 W/4000K GU5.3



ST MR16 35 36° 4.6 W/2700K GU5.3, ST MR16 35 36° 4.6 W/2700K GU5.3

ST MR16 35 36° 4.6 W/4000K GU5.3

ST MR16 12 V 50 36° 7.2 W/2700K GU5.3

ST MR16 12 V 50 36° 7.2 W/4000K GU5.3

### APPLICATION ADVICE

For more detailed application information and graphics please see product datasheet.

### LOGISTICAL DATA

Product code	Packaging unit (Pieces/Unit)	Dimensions (length x width x height)	Gross weight	Volume
4052899958418	Shipping carton box 10	290 mm x 254 mm x 134 mm	611.00 g	9.87 dm <sup>3</sup>
4058075112674	Shipping carton box 10	266 mm x 111 mm x 71 mm	535.00 g	2.10 dm <sup>3</sup>
4052899958425	Shipping carton box 10	290 mm x 254 mm x 134 mm	621.00 g	9.87 dm <sup>3</sup>
4052899388222	Shipping carton box 20	290 mm x 254 mm x 134 mm	969.00 g	9.87 dm <sup>3</sup>
4058075112698	Shipping carton box 10	266 mm x 111 mm x 71 mm	535.00 g	2.10 dm <sup>3</sup>

Product code	Packaging unit (Pieces/Unit)	Dimensions (length x width x height)	Gross weight	Volume
4058075260283	Shipping carton box 10	276 mm x 94 mm x 70 mm	543.00 g	1.82 dm <sup>3</sup>
4052899958456	Shipping carton box 10	290 mm x 254 mm x 134 mm	658.00 g	9.87 dm <sup>3</sup>
4052899958463	Shipping carton box 10	290 mm x 254 mm x 134 mm	629.00 g	9.87 dm <sup>3</sup>
4058075112711	Shipping carton box 10	266 mm x 111 mm x 71 mm	535.00 g	2.10 dm <sup>3</sup>
4052899958494	Shipping carton box 10	290 mm x 254 mm x 134 mm	898.00 g	9.87 dm <sup>3</sup>
4052899958500	Shipping carton box 10	290 mm x 254 mm x 134 mm	938.00 g	9.87 dm <sup>3</sup>

The mentioned product code describes the smallest quantity unit which can be ordered. One shipping unit can contain one or more single products. When placing an order, for the quantity please enter single or multiples of a shipping unit.

## REFERENCES / LINKS

For further products and actual information concerning LED lamps see

▶ [www.ledvance.com/ledlamps](http://www.ledvance.com/ledlamps)

For Guarantee see

▶ [www.ledvance.com/guarantee](http://www.ledvance.com/guarantee)

Further information see

▶ [www.ledvance.com/low-voltage-ledlamps](http://www.ledvance.com/low-voltage-ledlamps)

## DISCLAIMER

Subject to change without notice. Errors and omission excepted. Always make sure to use the most recent release.