

PRODUCT FAMILY DATASHEET

PARATHOM MR11 12 V

Low-voltage LED reflector lamps MR11 with retrofit pin base



AREAS OF APPLICATION

- Display cabinets and shop windows
- Museums, art galleries
- Exhibition rooms
- Residential interiors
- As a downlight for marking walkways, doors, stairs, etc.
- Outdoor applications only in suitable luminaires

PRODUCT BENEFITS

- Long lifetime of up to 15,000 h
- Low energy consumption
- Easy relamping thanks to compact design and GU4 base

PRODUCT FEATURES

- Professional LED alternative to halogen MR11 lamps
- Mercury-free lamps



TECHNICAL DATA

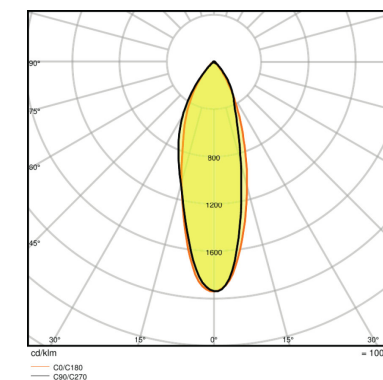
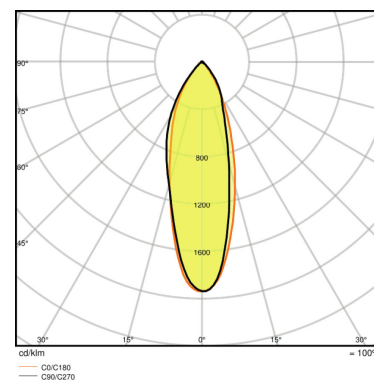
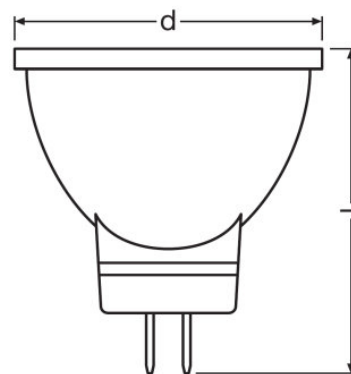
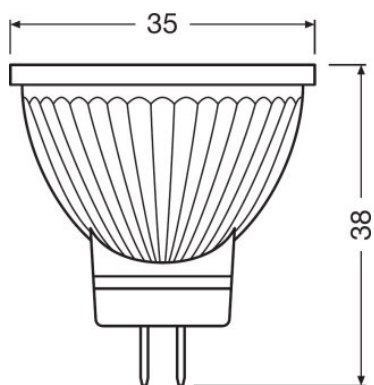
Product description	Electrical data					Photometrical data			
	Nominal wattage	Nominal voltage	Claimed equiv. conventional lamp power	Max. lamp no. on circuit break. 10 A (B)	Max. lamp no. on circuit break. 16 A (B)	Nominal luminous flux	Rated luminous flux	Lumen main.fact.at end of nom.life time	Light color (designation)
P MR11 20 36° 2.5 W/2700K GU4 ¹⁾	2.50 W	12 V	20 W	35	55	184 lm	184 lm	0.70	Warm White
P MR11 20 36° 2.5 W/4000K GU4 ¹⁾	2.50 W	12 V	20 W	35	55	184 lm	184 lm	0.70	Cool White
P MR11 35 36° 3.7 W/2700K GU4 ¹⁾	3.70 W	12 V	35 W			345 lm	345 lm	0.70	Warm White
P MR11 35 36° 4 W/2700K GU4 ¹⁾	4.00 W	12 V	35 W	27	44	345 lm	345 lm	0.70	Warm White
P MR11 35 36° 4 W/4000K GU4 ¹⁾	4.00 W	12 V	35 W	27	44	345 lm	345 lm	0.70	Cool White

Product description	Color temperature	Luminous flux	Color rendering index Ra	Luminous intensity [PIM]	Light technical data		Dimensions & weight		Temperatures & operating conditions	Lifespan
					Beam angle	Warm-up time (60 %)	Overall length	Diameter	Ambient temperature range	Nominal lamp life time
P MR11 20 36° 2.5 W/2700K GU4 ¹⁾	2700 K	184 lm	≥80		36 °	< 0.50 s	38.0 mm	35.0 mm	-20...+40 °C	15000 h
P MR11 20 36° 2.5 W/4000K GU4 ¹⁾	4000 K	184 lm	≥80		36 °	< 0.50 s	38.0 mm	35.0 mm	-20...+40 °C	15000 h
P MR11 35 36° 3.7 W/2700K GU4 ¹⁾	2700 K	345 lm	≥80	800 cd	36 °	< 0.50 s	39.0 mm	35.0 mm	-20...+40 °C	15000 h
P MR11 35 36° 4 W/2700K GU4 ¹⁾	2700 K	345 lm	≥80		36 °	< 0.50 s	38.0 mm	35.0 mm	-20...+40 °C	15000 h
P MR11 35 36° 4 W/4000K GU4 ¹⁾	4000 K	345 lm	≥80		36 °	< 0.50 s	38.0 mm	35.0 mm	-20...+40 °C	15000 h

Product description	Number of switching cycles	Additional product data			Capabilities	Certificates & standards	
		Base (standard designation)	Mercury content	Mercury-free	Dimmable	Energy efficiency class	Energy consumption
P MR11 20 36° 2.5 W/2700K GU4 ¹⁾	100000	GU4	0.0 mg	Yes	No	A+	3 kWh/1000h
P MR11 20 36° 2.5 W/4000K GU4 ¹⁾	100000	GU4	0.0 mg	Yes	No	A+	3 kWh/1000h
P MR11 35 36° 3.7 W/2700K GU4 ¹⁾	100000	GU4	0.0 mg	Yes	No	A++	4 kWh/1000h
P MR11 35 36° 4 W/2700K GU4 ¹⁾	100000	GU4	0.0 mg	Yes	No	A+	5 kWh/1000h
P MR11 35 36° 4 W/4000K GU4 ¹⁾	100000	GU4	0.0 mg	Yes	No	A+	5 kWh/1000h

Product description	Country-specific categorizations
P MR11 20 36° 2.5 W/2700K GU4 ¹⁾	
P MR11 20 36° 2.5 W/4000K GU4 ¹⁾	
P MR11 35 36° 3.7 W/2700K GU4 ¹⁾	DRR-3,7/827-12-GU4-35/36
P MR11 35 36° 4 W/2700K GU4 ¹⁾	
P MR11 35 36° 4 W/4000K GU4 ¹⁾	

¹⁾ All technical parameters apply to the entire lamp/Due to the complex production process for light-emitting diodes, the typical values shown for the technical LED parameters are purely statistical values that do not necessarily match the actual technical parameters of each individual product, which can vary from the typical value

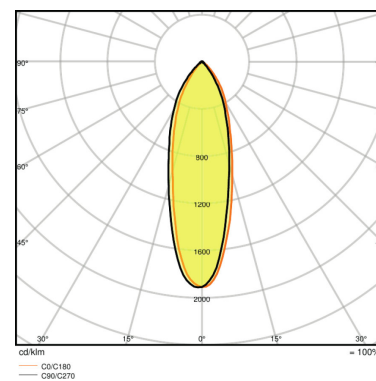
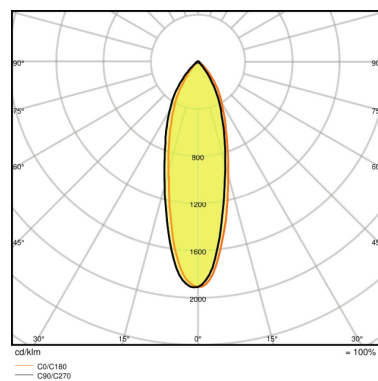
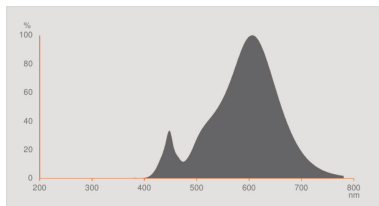


P MR11 20 36° 2.5 W/2700K GU4, P MR11 20 36° 2.5 W/4000K GU4, P MR11 35 36° 4 W/2700K GU4, P MR11 35 36° 4 W/4000K GU4

P MR11 35 36° 3.7 W/2700K GU4

P MR11 20 36° 2.5 W/2700K GU4

P MR11 20 36° 2.5 W/4000K GU4



P MR11 35 36° 3.7 W/2700K GU4

P MR11 35 36° 4 W/2700K GU4

P MR11 35 36° 4 W/4000K GU4

APPLICATION ADVICE

For more detailed application information and graphics please see product datasheet.

LOGISTICAL DATA

Product code	Packaging unit (Pieces/Unit)	Dimensions (length x width x height)	Gross weight	Volume
4058075105201	Shipping carton box 10	188 mm x 78 mm x 55 mm	258.00 g	0.81 dm ³
4058075105164	Shipping carton box 10	188 mm x 78 mm x 55 mm	368.00 g	0.81 dm ³
4058075813342	Shipping carton box 10	188 mm x 78 mm x 55 mm	258.00 g	0.81 dm ³
4058075105324	Shipping carton box 10	188 mm x 78 mm x 55 mm	368.00 g	0.81 dm ³
4058075105263	Shipping carton box 10	188 mm x 78 mm x 55 mm	368.00 g	0.81 dm ³

Product code	Packaging unit (Pieces/Unit)	Dimensions (length x width x height)	Gross weight	Volume
--------------	------------------------------	--------------------------------------	--------------	--------

The mentioned product code describes the smallest quantity unit which can be ordered. One shipping unit can contain one or more single products. When placing an order, for the quantity please enter single or multiples of a shipping unit.

REFERENCES / LINKS

For further products and actual information concerning LED lamps see

▶ www.ledvance.com/ledlamps

For Guarantee see

▶ www.ledvance.com/guarantee

Further information see

▶ www.ledvance.com/low-voltage-ledlamps

DISCLAIMER

Subject to change without notice. Errors and omission excepted. Always make sure to use the most recent release.