

PRODUCT FAMILY DATASHEET HALOTRONIC

– Dimmer modules



PRODUCT FAMILY FEATURES

- DALI trailing-edge phase dimmer
- Dimming of high voltage halogen and incandescent lamps
- Dimming of many common dimmable line voltage LED lamps
- Dimming of electronic transformers
- Standby power consumption: < 0.5 W
- DALI/Touch DIM control signal
- Short-circuit protection, overload protection, overtemperature protection: electronically reversible
- RI suppression: to EN 55015 (A1: 2007)
- Line harmonics according to EN 61000-3-2
- Safety: to EN 61347
- Immunity according to EN 61547
- Device fits also for special applications where dimming below 1 % is required

TECHNICAL DATA

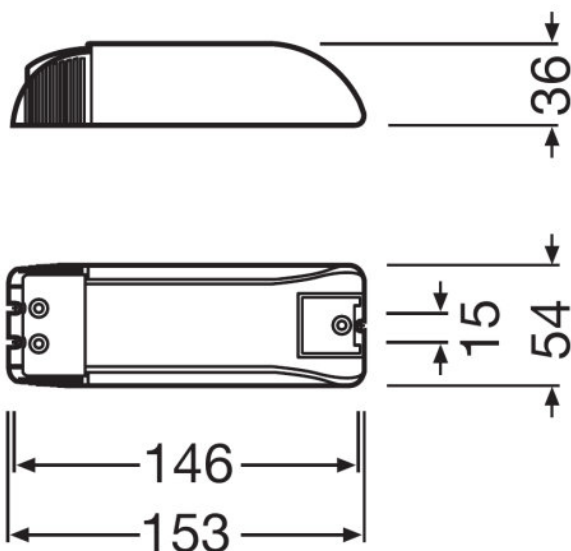
Electrical data

Product description	Lamp wattage	Nominal voltage	Nominal output voltage
HTI DALI 315 DIM	3...315 W	220...240 V	220...240 V

Dimensions & weight

Product description	Length	Width	Height	Mounting hole spacing, width	Mounting hole spacing, length	Product weight
HTI DALI 315 DIM	153.0 mm	54.0 mm	36.0 mm	15.0 mm	146.0 mm	137.00 g

Product line drawing



HTI DALI 315 DIM

Temperatures & operating conditions

Product description	Ambient temperature range
HTI DALI 315 DIM	0...+45 °C

Additional product data

Product description	Design / version
HTI DALI 315 DIM	Compact with cable clamp

Capabilities

Product description	Dimming method
HTI DALI 315 DIM	Trailing-edge dimmer

Certificates & standards

Product description	Type of protection
HTI DALI 315 DIM	IP20

EQUIPMENT / ACCESSORIES

- Suitable for all OSRAM HALOTRONIC and ET-PARROT ECGs
- Suitable for all dimmable OSRAM line voltage LED lamps

APPLICATION ADVICE

For more detailed application information and graphics please see product datasheet.




SALES AND TECHNICAL SUPPORT

Sales and Technical Support www.ledvance.com

COUNTRY SPECIFIC INFORMATION

Product description	Product code	METEL code	SEG number	STK number	UK Org
HTI DALI 315 DIM	4008321957344	OSRHTIDALI315	5280386	4030094	-

DOWNLOAD DATA

File
 Declarations of conformity CE Declaration of Conformity 2012_20 LMS HTi DALI 315 DIM_20120807
 Installation/Operation notice 341073_HTI DALI 315 DIM Installation Guide
 CAD data 3-dim 320673_HTM 150



CAD data 3-dim
320679_HTM 150

LOGISTICAL DATA

Product code	Packaging unit (Pieces/Unit)	Dimensions (length x width x height)	Gross weight	Volume
4008321957351	Shipping carton box 25	292 mm x 300 mm x 260 mm	4368.00 g	22.78 dm ³

The mentioned product code describes the smallest quantity unit which can be ordered. One shipping unit can contain one or more single products. When placing an order, for the quantity please enter single or multiples of a shipping unit.

DISCLAIMER

Subject to change without notice. Errors and omission excepted. Always make sure to use the most recent release.