

PRODUCT FAMILY DATASHEET QUICKTRONIC MULTIWATT

ECG for CFL



AREAS OF APPLICATION

- Emergency lighting systems acc. to EN 50172 / DIN VDE 0108-100
- Public buildings
- Sports halls and factories
- Suitable for luminaires of protection class I

PRODUCT FAMILY BENEFITS

- Long lamp life
- No adverse effect from frequent on/off switching
- Automatic restart after lamp replacement
- Perfect lamp start for applications with motion sensors
- Separate installations thanks to optional cable clamp for K2 and K3 casings
- VDE/VDE EMC certified system

PRODUCT FAMILY FEATURES

- Supply voltage: 220...240 V
- Line voltage: 198...264 V
- Line frequency: 0 Hz | 50 Hz | 60 Hz
- Lamp start with optimum filament preheating
- Energy Efficiency Index EEI: A2
- Automatic shutdown of defective lamps and at end of life (EoL T.2)
- Lamp operation: to EN 60929
- Safety: to EN 61347-2-3

TECHNICAL DATA

Electrical data

Product description	Input voltage AC	Nominal voltage	Mains frequency	Input voltage DC
QT-M 2X26...42 S	198...264 V	220...240 V	50...60 Hz	176...254 V ²⁾
QTP-M 1X26...42 ¹⁾	198...264 V	220...240 V	50...60 Hz	176...276 V
QTP-M 2X26...32 ¹⁾	198...264 V	220...240 V	50...60 Hz	176...276 V

¹⁾ Optional cable clamp, see chapter ECG mountings - cable clamp

²⁾ Minimum voltage for lamp ignition: 198 V

Light technical data

Product description	Starting time
QT-M 2X26...42 S	1.0 s
QTP-M 1X26...42 ¹⁾	1.0 s
QTP-M 2X26...32 ¹⁾	1.0 s

¹⁾ Optional cable clamp, see chapter ECG mountings - cable clamp

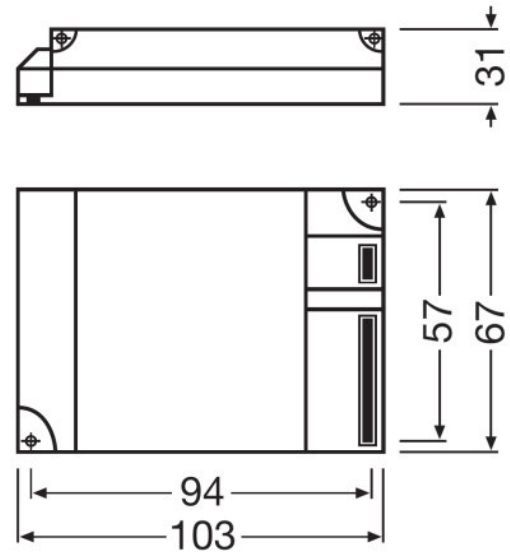
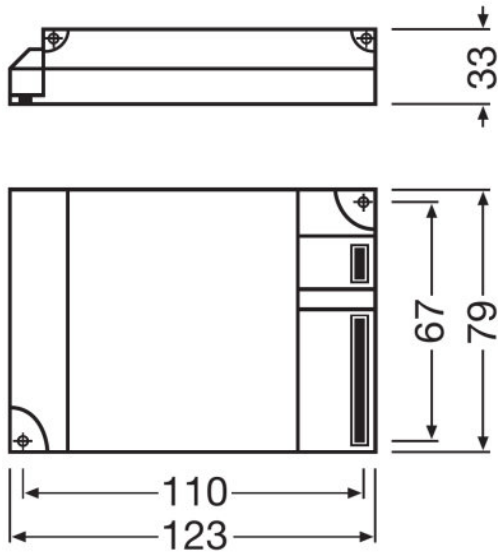
Dimensions & weight

Product description	Length	Width	Height	Mounting hole spacing, length	Product weight	Cable cross-section, output side
QT-M 2X26...42 S	123.0 mm	79.0 mm	33.0 mm	111.0 mm	280.00 g	0.5...1.5 mm ²
QTP-M 1X26...42 ¹⁾	103.0 mm	67.0 mm	31.0 mm	94.0 mm	147.00 g	0.5...1.5 mm ²
QTP-M 2X26...32 ¹⁾	123.0 mm	79.0 mm	33.0 mm	111.0 mm	180.00 g	0.5...1.5 mm ²

Product description	Cable cross-section, input side
QT-M 2X26...42 S	0.5...1.5 mm ²
QTP-M 1X26...42 ¹⁾	0.5...1.5 mm ²
QTP-M 2X26...32 ¹⁾	0.5...1.5 mm ²

¹⁾ Optional cable clamp, see chapter ECG mountings - cable clamp

Product line drawing



QT-M 2X26...42 S, QTP-M 2X26...32

QTP-M 1X26...42

Temperatures & operating conditions

Product description	Ambient temperature range
QT-M 2X26...42 S	-20...+50 °C
QTP-M 1X26...42 ¹⁾	-20...+50 °C
QTP-M 2X26...32 ¹⁾	-20...+50 °C

¹⁾ Optional cable clamp, see chapter ECG mountings - cable clamp

Lifespan

Product description	ECG lifetime
QT-M 2X26...42 S	50000 h ²⁾
QTP-M 1X26...42 ¹⁾	50000 h ²⁾
QTP-M 2X26...32 ¹⁾	50000 h ³⁾

¹⁾ Optional cable clamp, see chapter ECG mountings - cable clamp

²⁾ At $T_{case} = 75^{\circ}C$ at T_c point / 10% failure rate

³⁾ At $T_{case} = 70^{\circ}C$ at T_c point / 10% failure rate

Capabilities

Product description	End of lamp life safety shutdown	Suitable for fixtures with prot. class
QT-M 2X26...42 S	EOL T.2	I / II
QTP-M 1X26...42 ¹⁾	EOL T.2	I / II
QTP-M 2X26...32 ¹⁾	EOL T.2	I / II

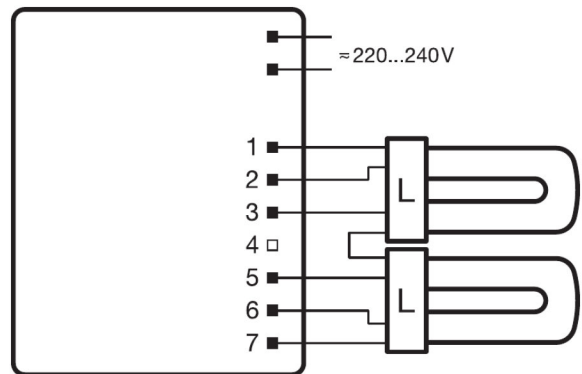
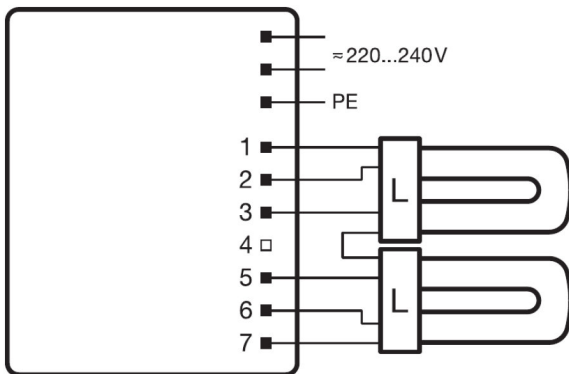
¹⁾ Optional cable clamp, see chapter ECG mountings - cable clamp

Certificates & standards

Product description	Approval marks – approval	EEI – Energy Label	Protection class
QT-M 2X26...42 S	VDE / VDE-EMC / ENEC 10 / GOST / RCM	A2	I
QTP-M 1X26...42 ¹⁾	VDE / VDE-EMC / ENEC 10 / GOST / RCM	A2	I/II
QTP-M 2X26...32 ¹⁾	VDE / VDE-EMC / ENEC 10 / GOST / RCM	A2	I/II

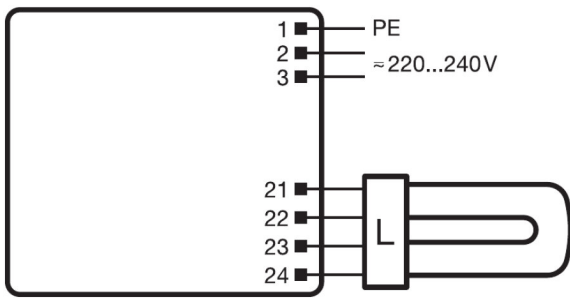
¹⁾ Optional cable clamp, see chapter ECG mountings - cable clamp

Wiring Diagram

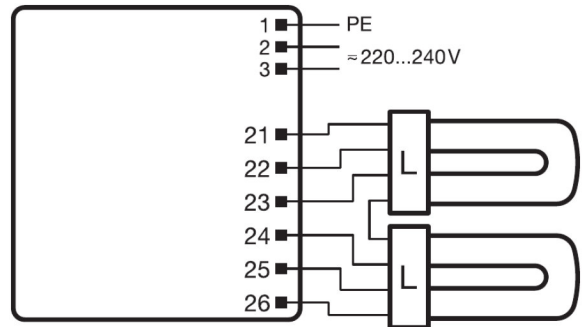


QT-M 2X26...42 S

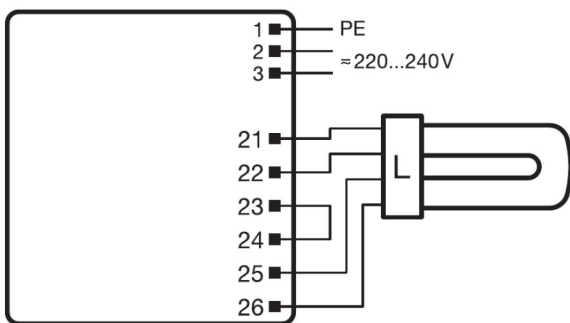
QT-M 2X26...42 S



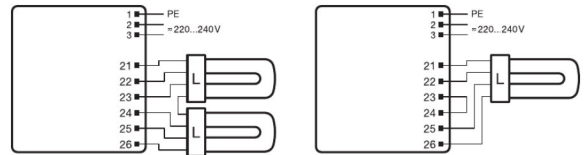
QTP-M 1X26...42



QTP-M 2X26...32



QTP-M 2X26...32



QTP-M 2X26...32

APPLICATION ADVICE

For more detailed application information and graphics please see product datasheet.


















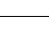
SALES AND TECHNICAL SUPPORT







Sales and Technical Support www.ledvance.com

COUNTRY SPECIFIC INFORMATION

Product description	Product code	METEL code	SEG number	STK number	UK Org
QT-M 2X26...42 S	4008321110022	OSRQTM2X2642	7980217	4030127	-
QTP-M 1X26...42	4008321329134	OSRQTPM1X2642	7980316	4030151	-
QTP-M 2X26...32	4008321329158	OSRQTPM2X2632	7980317	4030152	-

DOWNLOAD DATA

File
 Addon Technical Information 57965_ADDON TECHNICAL INFORMATION QT-M 2x26-42 S (G+GB)
 Certificates 334981_EMCC-Marks approval QT-M
 Certificates 334982_ENEC-Marks approval QT-M
 Certificates 335126_CEAG requirements Compatibility to modules of manufacturers for emergency lighti
 Certificates 335169_Manufacturer's declaration – LampECG combinations: Frequent switching
 Certificates 504211_VDE-EMC-Certificate QT-M
 Declarations of conformity 339525_Declaration of Conformity (GB)
 Operating instructions 596698_EAC QTP-M
 CAD data 3-dim 313449_123x79x33 9900044
 CAD data 3-dim 313489_123x79x33 9900044
 CAD data 3-dim 314264_123x79x33 9900044
 CAD data PDF 313391_123x79x33 9900044
 Addon Technical Information 321428_ATI QTP-M 1X26-42 (GB)
 Certificates 334956_EMCC-Marks approval – QTP-M
 Certificates 335097_INOTEC
 Certificates 335101_ENEC-VDE-Marks approval
 Certificates 335181_VDE Quality Tested – Simplified luminaire approbation
 Declarations of conformity 334807_Declaration of conformity – QTP-M

	Installation/Operation notice 334142_Technical guide - ECGs for T5-lamps
	CAD data 3-dim 321777_QTP-M 1X26-42
	CAD data 3-dim 321778_QTP-M 1X26-42
	Addon Technical Information 321429_ATI QTP-M 2X26-32 (GB)
	CAD data 3-dim 321779_QTP-M 2X26-32
	CAD data 3-dim 321780_QTP-M 2X26-32

LOGISTICAL DATA

Product code	Packaging unit (Pieces/Unit)	Dimensions (length x width x height)	Gross weight	Volume
4008321110039	Shipping carton box 20	412 mm x 101 mm x 260 mm	5865.00 g	10.82 dm ³
4008321329141	Shipping carton box 20	360 mm x 102 mm x 230 mm	2986.00 g	8.45 dm ³
4008321329165	Shipping carton box 20	428 mm x 88 mm x 257 mm	3860.00 g	9.68 dm ³

The mentioned product code describes the smallest quantity unit which can be ordered. One shipping unit can contain one or more single products. When placing an order, for the quantity please enter single or multiples of a shipping unit.

DISCLAIMER

Subject to change without notice. Errors and omission excepted. Always make sure to use the most recent release.