

## PRODUCT FAMILY DATASHEET QUICKTRONIC INTELLIGENT DIM T5

ECG dimmable 1...10 V for FL 16 mm



### AREAS OF APPLICATION

- Suitable for emergency installations
- Industry
- Open-plan offices, corridors and storage rooms
- Public buildings
- Suitable for luminaires of protection class I

### PRODUCT FAMILY BENEFITS

- Same luminous flux with direct and alternating current
- Perfect lamp start for applications with motion sensors
- Dimming of amalgam lamps without flickering or reduced lifespan
- Very high efficiency thanks to cut-off technology
- Automatic restart after lamp replacement
- ECGs comply with MINERGIE standard due to very low standby consumption
- Configurable emergency power characteristics

### PRODUCT FAMILY FEATURES

- Control via 1...10 V interface
- Supply voltage: 220...240 V
- Line frequency: 0 Hz | 50 Hz | 60 Hz
- Line voltage: 198...264 V
- Dimming range: 1...100 % luminous flux
- Lamp start: within 0.6 s
- Lifetime: > 100,000 h (for  $T = 65\text{ °C}$  at  $T_c$ )
- Automatic shutdown of defective lamps and at end of life (EoL T.2)
- Energy Efficiency Index EEI: A1 BAT
- Overtemperature protection: Thermal management at high  $t_c$  temperatures

- Safety: to EN 61347-2-3
- Lamp operation: to EN 60929
- RI suppression: to EN 55015:2006+A1:2007+A2:2009/CISPR 15
- Line harmonics according to EN 61000-3-2
- Immunity according to EN 61547

## TECHNICAL DATA

### Electrical data

Product description	Input voltage AC	Nominal voltage	Mains frequency	Input voltage DC
QTi 1X14/24 DIM	198...264 V	220...240 V	50/60 Hz	154...276 V
QTi 1X21/39 DIM	198...264 V	220...240 V	50/60 Hz	154...276 V
QTi 1X28/54 DIM	198...264 V	220...240 V	50/60 Hz	154...276 V
QTi 1X35/49/80 DIM	198...264 V	220...240 V	50/60 Hz	154...276 V
QTi 2X14/24 DIM	198...264 V	220...240 V	50...60 Hz	154...276 V
QTi 2X21/39 DIM	198...264 V	220...240 V	50...60 Hz	154...276 V
QTi 2X28/54 DIM	198...264 V	220...240 V	50...60 Hz	154...276 V
QTi 2X35/49 DIM	198...264 V	220...240 V	50...60 Hz	154...276 V
QTi 2X35/49/80 DIM	198...264 V	220...240 V	50...60 Hz	154...276 V
QTi 3X14/24 DIM	198...264 V	220...240 V	50...60 Hz	154...276 V
QTi 4X14/24 DIM	198...264 V	220...240 V	50...60 Hz	154...276 V

### Light technical data

Product description	Starting time
QTi 1X14/24 DIM	0.6 s
QTi 1X21/39 DIM	0.6 s
QTi 1X28/54 DIM	0.6 s
QTi 1X35/49/80 DIM	0.6 s
QTi 2X14/24 DIM	0.6 s
QTi 2X21/39 DIM	0.6 s
QTi 2X28/54 DIM	0.6 s
QTi 2X35/49 DIM	0.6 s
QTi 2X35/49/80 DIM	0.6 s
QTi 3X14/24 DIM	0.6 s
QTi 4X14/24 DIM	0.6 s

Dimensions & weight

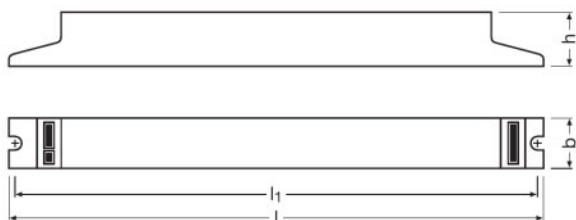
Product description	Length	Width	Height	Mounting hole spacing, length	Product weight	Wire preparation length, input side
QTi 1X14/24 DIM	360.0 mm	30.0 mm	21.0 mm	350.0 mm	274.00 g	8.0...9.0 mm <sup>1)</sup>
QTi 1X21/39 DIM	360.0 mm	30.0 mm	21.0 mm	350.0 mm	276.00 g	8.0...9.0 mm <sup>1)</sup>
QTi 1X28/54 DIM	360.0 mm	30.0 mm	21.0 mm	350.0 mm	273.00 g	8.0...9.0 mm <sup>1)</sup>
QTi 1X35/49/80 DIM	360.0 mm	30.0 mm	21.0 mm	350.0 mm	289.00 g	8.0...9.0 mm <sup>1)</sup>
QTi 2X14/24 DIM	423.0 mm	30.0 mm	21.0 mm	415.0 mm	370.00 g	8.0...9.0 mm <sup>1)</sup>
QTi 2X21/39 DIM	423.0 mm	30.0 mm	21.0 mm	415.0 mm	370.00 g	8.0...9.0 mm <sup>1)</sup>
QTi 2X28/54 DIM	423.0 mm	30.0 mm	21.0 mm	415.0 mm	373.00 g	8.0...9.0 mm <sup>1)</sup>
QTi 2X35/49 DIM	423.0 mm	30.0 mm	21.0 mm	415.0 mm	370.00 g	8.0...9.0 mm <sup>1)</sup>
QTi 2X35/49/80 DIM	423.0 mm	30.0 mm	21.0 mm	415.0 mm	370.00 g	8.0...9.0 mm <sup>1)</sup>
QTi 3X14/24 DIM	360.0 mm	40.0 mm	21.0 mm	350.0 mm	394.00 g	8.0...9.0 mm <sup>1)</sup>
QTi 4X14/24 DIM	360.0 mm	40.0 mm	21.0 mm	350.0 mm	397.00 g	8.0...9.0 mm <sup>1)</sup>

Product description	Wire preparation length, output side	Cable cross-section, output side	Cable cross-section, input side
QTi 1X14/24 DIM	8.0...9.0 mm <sup>1)</sup>	0.5...1.5 / 0.5...1.0 mm <sup>2</sup> <sup>2)</sup>	0.5...1.5 / 0.5...1.0 mm <sup>2</sup> <sup>2)</sup>
QTi 1X21/39 DIM	8.0...9.0 mm <sup>1)</sup>	0.5...1.5 / 0.5...1.0 mm <sup>2</sup> <sup>2)</sup>	0.5...1.5 / 0.5...1.0 mm <sup>2</sup> <sup>2)</sup>
QTi 1X28/54 DIM	8.0...9.0 mm <sup>1)</sup>	0.5...1.5 / 0.5...1.0 mm <sup>2</sup> <sup>2)</sup>	0.5...1.0 / 0.5...1.5 mm <sup>2</sup> <sup>2)</sup>
QTi 1X35/49/80 DIM	8.0...9.0 mm <sup>1)</sup>	0.5...1.5 / 0.5...1.0 mm <sup>2</sup> <sup>2)</sup>	0.5...1.5 / 0.5...1.0 mm <sup>2</sup> <sup>2)</sup>
QTi 2X14/24 DIM	8.0...9.0 mm <sup>1)</sup>	0.5...1.5 / 0.5...1.0 mm <sup>2</sup> <sup>2)</sup>	0.5...1.5 / 0.5...1.0 mm <sup>2</sup> <sup>2)</sup>
QTi 2X21/39 DIM	8.0...9.0 mm <sup>1)</sup>	0.5...1.5 / 0.5...1.0 mm <sup>2</sup> <sup>2)</sup>	0.5...1.5 / 0.5...1.0 mm <sup>2</sup> <sup>2)</sup>
QTi 2X28/54 DIM	8.0...9.0 mm <sup>1)</sup>	0.5...1.5 / 0.5...1.0 mm <sup>2</sup> <sup>2)</sup>	0.5...1.5 / 0.5...1.0 mm <sup>2</sup> <sup>2)</sup>
QTi 2X35/49 DIM	8.0...9.0 mm <sup>1)</sup>	0.5...1.5 / 0.5...1.0 mm <sup>2</sup> <sup>2)</sup>	0.5...1.5 / 0.5...1.0 mm <sup>2</sup> <sup>2)</sup>
QTi 2X35/49/80 DIM	8.0...9.0 mm <sup>1)</sup>	0.5...1.5 / 0.5...1.0 mm <sup>2</sup> <sup>2)</sup>	0.5...1.5 / 0.5...1.0 mm <sup>2</sup> <sup>2)</sup>
QTi 3X14/24 DIM	8.0...9.0 mm <sup>1)</sup>	0.5...1.5 / 0.5...1.0 mm <sup>2</sup> <sup>2)</sup>	0.5...1.5 / 0.5...1.0 mm <sup>2</sup> <sup>2)</sup>
QTi 4X14/24 DIM	8.0...9.0 mm <sup>1)</sup>	0.5...1.5 / 0.5...1.0 mm <sup>2</sup> <sup>2)</sup>	0.5...1.5 / 0.5...1.0 mm <sup>2</sup> <sup>2)</sup>

<sup>1)</sup> Combi wiring

<sup>2)</sup> Solid leads

**Product line drawing**



QTi 1X14/24 DIM, QTi 1X21/39 DIM, QTi 1X28/54 DIM, QTi 1X35/49/80 DIM, QTi 2X14/24 DIM, QTi 2X21/39 DIM, QTi 2X28/54 DIM, QTi 2X35/49 DIM, QTi 2X35/49/80 DIM, QTi 3X14/24 DIM, QTi 4X14/24 DIM

**Temperatures & operating conditions**

Product description	Ambient temperature range
QTi 1X14/24 DIM	+10...+50 °C
QTi 1X21/39 DIM	+10...+50 °C
QTi 1X28/54 DIM	+10...+50 °C
QTi 1X35/49/80 DIM	+10...+50 °C
QTi 2X14/24 DIM	+10...+50 °C
QTi 2X21/39 DIM	+10...+50 °C
QTi 2X28/54 DIM	+10...+50 °C
QTi 2X35/49 DIM	+10...+50 °C
QTi 2X35/49/80 DIM	+10...+50 °C
QTi 3X14/24 DIM	+10...+50 °C
QTi 4X14/24 DIM	+10...+50 °C

**Lifespan**

Product description	ECG lifetime
QTi 1X14/24 DIM	100000 h <sup>1)</sup>
QTi 1X21/39 DIM	100000 h <sup>1)</sup>
QTi 1X28/54 DIM	100000 h <sup>1)</sup>
QTi 1X35/49/80 DIM	100000 h <sup>1)</sup>
QTi 2X14/24 DIM	100000 h <sup>1)</sup>
QTi 2X21/39 DIM	100000 h <sup>1)</sup>
QTi 2X28/54 DIM	100000 h <sup>1)</sup>
QTi 2X35/49 DIM	100000 h <sup>1)</sup>
QTi 2X35/49/80 DIM	100000 h <sup>1)</sup>
QTi 3X14/24 DIM	100000 h <sup>1)</sup>
QTi 4X14/24 DIM	100000 h <sup>1)</sup>

<sup>1)</sup> At T<sub>case</sub> = 65°C at T<sub>c</sub> point / 10% failure rate

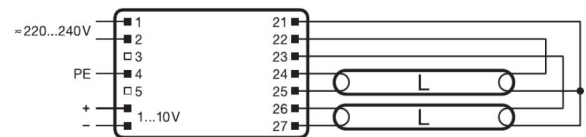
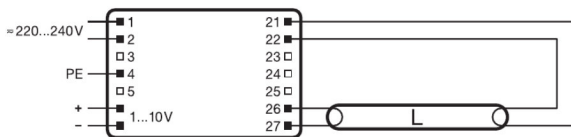
**Capabilities**

Product description	Dimmable	Suitable for fixtures with prot. class	End of lamp life safety shutdown	Suitable for emergency lighting
QTi 1X14/24 DIM	Yes	I	EOL T.2	Yes
QTi 1X21/39 DIM	Yes	I	EOL T.2	Yes
QTi 1X28/54 DIM	Yes	I	EOL T.2	Yes
QTi 1X35/49/80 DIM	Yes	I	EOL T.2	Yes
QTi 2X14/24 DIM	Yes	I	EOL T.2	Yes
QTi 2X21/39 DIM	Yes	I	EOL T.2	Yes
QTi 2X28/54 DIM	Yes	I	EOL T.2	Yes
QTi 2X35/49 DIM	Yes	I	EOL T.2	Yes
QTi 2X35/49/80 DIM	Yes	I	EOL T.2	Yes
QTi 3X14/24 DIM	Yes	I	EOL T.2	
QTi 4X14/24 DIM	Yes	I	EOL T.2	

Certificates & standards

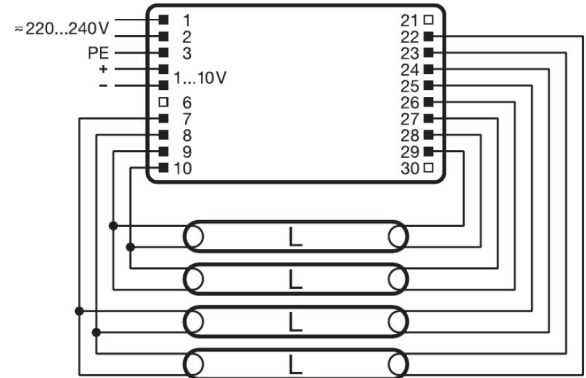
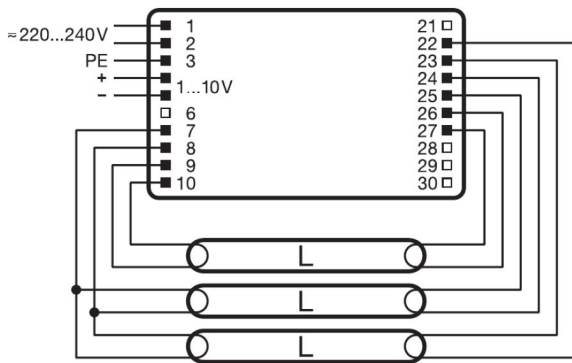
Product description	Approval marks – approval	Protection class
QTi 1X14/24 DIM	VDE / VDE-EMC / EL / EAC / RCM / CCC	I
QTi 1X21/39 DIM	VDE / VDE-EMC / EL / EAC / RCM / CCC	I
QTi 1X28/54 DIM	VDE / VDE-EMC / EL / EAC / RCM / CCC	I
QTi 1X35/49/80 DIM	VDE / VDE-EMC / EL / EAC / RCM / CCC	I
QTi 2X14/24 DIM	VDE / VDE-EMC / EL / EAC / RCM / CCC	I
QTi 2X21/39 DIM	VDE / VDE-EMC / EL / EAC / RCM / CCC	I
QTi 2X28/54 DIM	VDE / VDE-EMC / EL / EAC / RCM / CCC	I/II
QTi 2X35/49 DIM	VDE / VDE-EMC / EL / EAC / RCM / CCC	I
QTi 2X35/49/80 DIM	VDE / VDE-EMC / EL / EAC / RCM / CCC	I
QTi 3X14/24 DIM	VDE / VDE-EMC / EL / EAC / RCM / CCC	I
QTi 4X14/24 DIM	VDE / VDE-EMC / EL / EAC / RCM / CCC	I

Wiring Diagram



QTi 1X14/24 DIM, QTi 1X21/39 DIM, QTi 1X28/54 DIM, QTi 1X35/49/80 DIM

QTi 2X14/24 DIM, QTi 2X21/39 DIM, QTi 2X28/54 DIM, QTi 2X35/49 DIM, QTi 2X35/49/80 DIM



QT i 3X14/24 DIM

QT i 4X14/24 DIM

**APPLICATION ADVICE**

For more detailed application information and graphics please see product datasheet.


**SALES AND TECHNICAL SUPPORT**

Sales and Technical Support [www.ledvance.com](http://www.ledvance.com)

**COUNTRY SPECIFIC INFORMATION**

Product description	Product code	METEL code	SEG number	STK number	UK Org
QT i 1X14/24 DIM	4050300870922	OSRQT i1X1424DIM	7980246	4030214	-
QT i 1X21/39 DIM	4050300870564	OSRQT i1X2139DIM	7980247	4030221	-
QT i 1X28/54 DIM	4050300870588	OSRQT i1X2854DIM	7980248	4030228	-
QT i 1X35/49/80 DIM	4050300870540	OSRQT i1X3580DIM	7980249	4030235	-
QT i 2X14/24 DIM	4050300870946	OSRQT i2X1424DIM	7980250	4030244	-
QT i 2X21/39 DIM	4050300870694	OSRQT i2X2139DIM	7980251	4030251	-
QT i 2X28/54 DIM	4050300870717	OSRQT i2X2854DIM	7980252	4030254	-
QT i 2X35/49 DIM	4050300870670	OSRQT i2X3549DIM	7980253	4030259	-
QT i 2X35/49/80 DIM	4050300870984	OSRQT i2X3580DIM	7980294	4031102	-
QT i 3X14/24 DIM	4008321069719	OSRQT i3X1424DIM	7980254	4031116	-
QT i 4X14/24 DIM	4008321069993	OSRQT i4X1424DIM	7980255	4031118	-

**DOWNLOAD DATA**

File	
	Addon Technical Information 502689_Frequent switching Quicktronic
	Addon Technical Information 502785_ECG lifetime - QUICKTRONIC (DALI) DIM
	Brochures 335514_Applications and luminares solutions
	Certificates 554891_EAC PT family
	Certificates 334953_EMC-Marks approval
	Certificates 335097_INOTEC
	Certificates 335125_ENECVDE-Marks approval
	Certificates 335135_Manufacturer's declaration &#150; Burning-in of fluorescent lamps
	Certificates 335153_Manufacturer's declaration &#150; Low stand-by
	Certificates 335154_Manufacturer's declaration &#150; EN 55015:2006+A1:2007 (300 MHz)
	Certificates 335169_Manufacturer's declaration &#150; LampECG combinations: Frequent switching
	Certificates 504208_VDE-EMC-CERTIFICATE QTI DALI DIM
	Declarations of conformity 334957_Declaration of conformity
	Installation/Operation notice 334142_Technical guide - ECGs for T5-lamps
	Installation/Operation notice 493509_Technical application guide QUICKTRONIC Intelligent DALI DIM (GB)
	Operating instructions 592412_EAC QTi T5 DIM
	CAD data 3-dim 313432_360x30x21 1881281
	CAD data 3-dim 313433_360x30x21 1881281
	CAD data 3-dim 313453_360x30x21 1881281
	CAD data PDF 313406_360x30x21 1881281
	Product Datasheet 321496_ATI QTi 1X2139220-240 DIM (G+GB)
	Product Datasheet 321497_ATI QTi 1X2854220-240 DIM (G+GB)
	Brochures 539521_DALI standard and additional functions (GB)



	Product Datasheet 321498_ATI QT <i>i</i> 1x354980220-240 DIM (G+GB)
	Product Datasheet 321499_ATI QT <i>i</i> 2X1424220-240 DIM (G+GB)
	CAD data 3-dim 313428_423x30x21 1881282
	CAD data 3-dim 313430_423x30x21 1881282
	CAD data 3-dim 313444_423x30x21 1881282
	CAD data PDF 313416_423x30x21 1881282
	Product Datasheet 321500_ATI QT <i>i</i> 2X2139220-240 DIM (G+GB)
	Product Datasheet 321501_ATI QT <i>i</i> 2X2854220-240 DIM (G+GB)
	Product Datasheet 321502_ATI QT <i>i</i> 2X3549220-240 DIM (G+GB)
	Product Datasheet 321503_ATI QT <i>i</i> 2X354980220-240 DIM (G+GB)
	CAD data 3-dim 321729_QT <i>i</i> 3x1424220-240 DIM
	CAD data 3-dim 321730_QT <i>i</i> 3x1424220-240 DIM
	CAD data 3-dim 321731_QT <i>i</i> 3x1424220-240 DIM
	CAD data PDF 321728_QT <i>i</i> 3x1424220-240 DIM
	Product Datasheet 321505_ATI QT <i>i</i> 4x1424220-240 DIM (G+GB)
	CAD data 3-dim 321639_QT <i>i</i> 4x1424220-240 DIM
	CAD data 3-dim 321640_QT <i>i</i> 4x1424220-240 DIM
	CAD data 3-dim 321641_QT <i>i</i> 4x1424220-240 DIM
	CAD data PDF 321637_QT <i>i</i> 4x1424220-240 DIM

**LOGISTICAL DATA**

Product code	Packaging unit (Pieces/Unit)	Dimensions (length x width x height)	Gross weight	Volume
4050300870939	Shipping carton box 20	392 mm x 98 mm x 165 mm	6319.99 g	6.34 dm <sup>3</sup>
4050300870571	Shipping carton box 20	392 mm x 98 mm x 165 mm	6319.99 g	6.34 dm <sup>3</sup>

Product code	Packaging unit (Pieces/Unit)	Dimensions (length x width x height)	Gross weight	Volume
4050300870595	Shipping carton box 20	370 mm x 96 mm x 170 mm	6320.00 g	6.04 dm <sup>3</sup>
4050300870557	Shipping carton box 20	370 mm x 96 mm x 170 mm	6000.00 g	6.04 dm <sup>3</sup>
4050300870953	Shipping carton box 20	455 mm x 98 mm x 163 mm	7640.00 g	7.27 dm <sup>3</sup>
4050300870700	Shipping carton box 20	455 mm x 98 mm x 163 mm	7640.00 g	7.27 dm <sup>3</sup>
4050300870724	Shipping carton box 20	435 mm x 96 mm x 170 mm	8242.00 g	7.10 dm <sup>3</sup>
4050300870687	Shipping carton box 20	435 mm x 96 mm x 170 mm	7642.00 g	7.10 dm <sup>3</sup>
4050300870991	Shipping carton box 20	435 mm x 96 mm x 170 mm	7642.00 g	7.10 dm <sup>3</sup>
4008321069924	Shipping carton box 20	384 mm x 90 mm x 237 mm	8672.00 g	8.19 dm <sup>3</sup>
4008321070005	Shipping carton box 20	384 mm x 90 mm x 210 mm	8472.00 g	7.26 dm <sup>3</sup>

The mentioned product code describes the smallest quantity unit which can be ordered. One shipping unit can contain one or more single products. When placing an order, for the quantity please enter single or multiples of a shipping unit.

---

#### DISCLAIMER

Subject to change without notice. Errors and omission excepted. Always make sure to use the most recent release.