

## PRODUCT FAMILY DATASHEET QUICKTRONIC INTELLIGENT DALI DIM T8

ECG dimmable DALI for FL 26 mm



### AREAS OF APPLICATION

- Suitable for use in emergency lighting systems as per EN 50172/DIN VDE 0108-100
- Installation in emergency lighting systems according to IEC 61347-2-3, appendix J
- Industry
- Open-plan offices, corridors and storage rooms
- Public buildings
- Sports halls and factories
- Strip lighting
- Suitable for luminaires of protection class I

### PRODUCT FAMILY BENEFITS

- System+ Guarantee available
- Easy integration in luminaire thanks to same dimensions like DALI GI ECG
- TouchDIM function for easy and inexpensive dimming of several ECGs
- Same luminous flux with direct and alternating current
- Dimming of amalgam lamps without flickering or reduced lifespan
- Automatic restart after lamp replacement

### PRODUCT FAMILY BENEFITS

- System+ Guarantee available
- Easy integration in luminaire thanks to same dimensions like DALI GI ECG
- TouchDIM function for easy and inexpensive dimming of several ECGs
- Same luminous flux with direct and alternating current
- Dimming of amalgam lamps without flickering or reduced lifespan
- Automatic restart after lamp replacement

**DALI PRODUCT FEATURES**

- Control via the DALI interface
- Compliance with the DALI Version-1 and IEC 60929
- Control input protected against overvoltage and polarity reversal (OSRAM ECG)

**DALI PRODUCT FEATURES**

- Control via the DALI interface
- Compliance with the DALI Version-1 and IEC 60929
- Control input protected against overvoltage and polarity reversal (OSRAM ECG)

**TOUCH DIM AND TOUCH DIM SENSOR FUNCTION**

- Manual dimming without controller and with standard switches
- Including memory function (double click) and soft start

**TOUCH DIM AND TOUCH DIM SENSOR FUNCTION**

- Manual dimming without controller and with standard switches
- Including memory function (double click) and soft start

**PRODUCT FAMILY FEATURES**

- Corridor function for direct connection of ECG to common motion sensor
- Corridor function with pre-programmed light program
- Touch DIM function for free parameterization of light value and turn on time
- Fit for SMART GRID for feedback of consumed mains power and lamp operating hours
- Fit for emergency function for automatic detection of emergency lighting by ECG
- Very low standby power consumption: < 0.2 W (A1 BAT)
- Lifetime: > 100,000 h (for T = 65 °C at T<sub>c</sub>)
- Very high number of switching cycles: up to 300,000
- Dimming range: 1...100 % (3...100 % with compact fluorescent lamp)
- POWER2LAMP function for optimal matching of ECG power to lamp during lamp lifetime
- Line frequency: 0 Hz, 50...60 Hz, rectified AC

**TECHNICAL DATA**

**Electrical data**

Product description	Input voltage AC	Nominal voltage	Mains frequency	Input voltage DC
QTi DALI 1X18 DIM	198...264 V	220...240 V	50...60 Hz	154...276 V
QTi DALI 1X36 DIM	198...264 V	220...240 V	50...60 Hz	154...276 V
QTi DALI 1X58 DIM	198...264 V	220...240 V	50...60 Hz	154...276 V
QTi DALI 2X18 DIM	198...264 V	220...240 V	50...60 Hz	154...276 V
QTi DALI 2X36 DIM	198...264 V	220...240 V	50...60 Hz	154...276 V
QTi DALI 2X58 DIM	198...264 V	220...240 V	50...60 Hz	154...276 V
QTi DALI 3X18 DIM	198...264 V	220...240 V	50...60 Hz	154...276 V
QTi DALI 4X18 DIM	198...264 V	220...240 V	50...60 Hz	154...276 V

**Light technical data**

Product description	Starting time
QTi DALI 1X18 DIM	0.6 s
QTi DALI 1X36 DIM	0.6 s
QTi DALI 1X58 DIM	0.6 s
QTi DALI 2X18 DIM	0.6 s
QTi DALI 2X36 DIM	0.6 s
QTi DALI 2X58 DIM	0.6 s
QTi DALI 3X18 DIM	0.6 s
QTi DALI 4X18 DIM	1.2 s

**Dimensions & weight**

Product description	Length	Width	Height	Mounting hole spacing, length	Product weight	Wire preparation length, input side
QTi DALI 1X18 DIM	360.0 mm	30.0 mm	21.0 mm	350.0 mm	278.00 g	8.0...9.0 mm <sup>1)</sup>
QTi DALI 1X36 DIM	360.0 mm	30.0 mm	21.0 mm	350.0 mm	270.00 g	8.0...9.0 mm <sup>1)</sup>
QTi DALI 1X58 DIM	360.0 mm	30.0 mm	21.0 mm	350.0 mm	270.00 g	8.0...9.0 mm <sup>1)</sup>
QTi DALI 2X18 DIM	423.0 mm	30.0 mm	21.0 mm	415.0 mm	370.00 g	8.0...9.0 mm <sup>1)</sup>
QTi DALI 2X36 DIM	423.0 mm	30.0 mm	21.0 mm	415.0 mm	370.00 g	8.0...9.0 mm <sup>1)</sup>
QTi DALI 2X58 DIM	423.0 mm	30.0 mm	21.0 mm	415.0 mm	370.00 g	8.0...9.0 mm <sup>1)</sup>
QTi DALI 3X18 DIM	360.0 mm	40.0 mm	21.0 mm	350.0 mm	386.00 g	8.0...9.0 mm <sup>1)</sup>
QTi DALI 4X18 DIM	360.0 mm	40.0 mm	21.0 mm	350.0 mm	374.00 g	8.0...9.0 mm <sup>1)</sup>

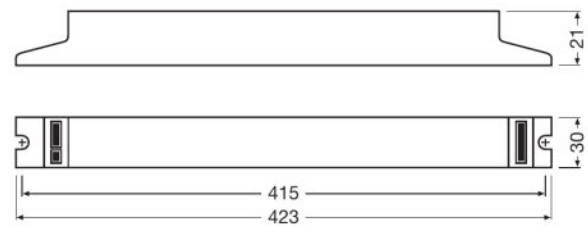
Product description	Wire preparation length, output side	Cable cross-section, output side	Cable cross-section, input side
QTi DALI 1X18 DIM	8.0...9.0 mm <sup>1)</sup>	0.5...1.5 / 0.5...1.0 mm <sup>2</sup> <sup>2)</sup>	0.5...1.5 / 0.5...1.0 mm <sup>2</sup> <sup>2)</sup>
QTi DALI 1X36 DIM	8.0...9.0 mm <sup>1)</sup>	0.5...1.5 / 0.5...1.0 mm <sup>2</sup> <sup>2)</sup>	0.5...1.5 / 0.5...1.0 mm <sup>2</sup> <sup>2)</sup>
QTi DALI 1X58 DIM	8.0...9.0 mm <sup>1)</sup>	0.5...1.5 / 0.5...1.0 mm <sup>2</sup> <sup>2)</sup>	0.5...1.5 / 0.5...1.0 mm <sup>2</sup> <sup>2)</sup>

Product description	Wire preparation length, output side	Cable cross-section, output side	Cable cross-section, input side
QTi DALI 2X18 DIM	8.0...9.0 mm <sup>1)</sup>	0.5...1.5 / 0.5...1.0 mm <sup>2</sup> <sup>2)</sup>	0.5...1.5 / 0.5...1.0 mm <sup>2</sup> <sup>2)</sup>
QTi DALI 2X36 DIM	8.0...9.0 mm <sup>1)</sup>	0.5...1.5 / 0.5...1.0 mm <sup>2</sup> <sup>2)</sup>	0.5...1.5 / 0.5...1.0 mm <sup>2</sup> <sup>2)</sup>
QTi DALI 2X58 DIM	8.0...9.0 mm <sup>1)</sup>	0.5...1.5 / 0.5...1.0 mm <sup>2</sup> <sup>2)</sup>	0.5...1.5 / 0.5...1.0 mm <sup>2</sup> <sup>2)</sup>
QTi DALI 3X18 DIM	8.0...9.0 mm <sup>1)</sup>	0.5...1.5 / 0.5...1.0 mm <sup>2</sup> <sup>2)</sup>	0.5...1.5 / 0.5...1.0 mm <sup>2</sup> <sup>2)</sup>
QTi DALI 4X18 DIM	8.0...9.0 mm <sup>1)</sup>	0.5...1.5 / 0.5...1.0 mm <sup>2</sup> <sup>2)</sup>	0.5...1.5 / 0.5...1.0 mm <sup>2</sup> <sup>2)</sup>

<sup>1)</sup> Combi wiring

<sup>2)</sup> Solid leads

**Product line drawing**



QTi DALI 1X18 DIM, QTi DALI 1X36 DIM, QTi DALI 1X58 DIM,  
QTi DALI 3X18 DIM, QTi DALI 4X18 DIM

QTi DALI 2X18 DIM, QTi DALI 2X36 DIM, QTi DALI 2X58 DIM

**Temperatures & operating conditions**

Product description	Ambient temperature range
QTi DALI 1X18 DIM	-20...+50 °C
QTi DALI 1X36 DIM	-20...+50 °C
QTi DALI 1X58 DIM	-20...+50 °C
QTi DALI 2X18 DIM	-20...+50 °C
QTi DALI 2X36 DIM	-20...+50 °C
QTi DALI 2X58 DIM	-20...+50 °C
QTi DALI 3X18 DIM	0...+50 °C
QTi DALI 4X18 DIM	0...+50 °C

**Lifespan**

Product description	ECG lifetime
QTi DALI 1X18 DIM	100000 h <sup>1)</sup>
QTi DALI 1X36 DIM	100000 h <sup>1)</sup>
QTi DALI 1X58 DIM	100000 h <sup>1)</sup>
QTi DALI 2X18 DIM	100000 h <sup>1)</sup>
QTi DALI 2X36 DIM	100000 h <sup>1)</sup>
QTi DALI 2X58 DIM	100000 h <sup>1)</sup>
QTi DALI 3X18 DIM	100000 h <sup>1)</sup>
QTi DALI 4X18 DIM	100000 h <sup>1)</sup>

<sup>1)</sup> At  $T_{case} = 65^{\circ}C$  at  $T_c$  point / 10% failure rate

Product name	Lamp group				
QTi DALI 1X18 DIM	DULUX L 18 W	ECG ambient temperature [ta]	40	50	60
		Temperature at tc-point [°C]	45	55	65
		Lifetime [h]	100000	100000	100000
	L 18 W	ECG ambient temperature [ta]	40	50	60
		Temperature at tc-point [°C]	45	55	65
		Lifetime [h]	100000	100000	100000
Product name	Lamp group				
QTi DALI 1X36 DIM	DULUX L 36 W	ECG ambient temperature [ta]	40	50	60
		Temperature at tc-point [°C]	50	60	70
		Lifetime [h]	100000	100000	100000
	DULUX L 36 W XT	ECG ambient temperature [ta]	40	50	60
		Temperature at tc-point [°C]	50	60	70
		Lifetime [h]	100000	100000	100000
	L 36 W	ECG ambient temperature [ta]	40	50	60
		Temperature at tc-point [°C]	50	60	70
		Lifetime [h]	100000	100000	100000
Product name	Lamp group				

QTi DALI 1X58 DIM	L 58 W	ECG ambient temperature [ta]	40	50	60
		Temperature at tc-point [°C]	50	60	70
		Lifetime [h]	100000	100000	100000
Product name	Lamp group				
QTi DALI 2X18 DIM	DULUX L 18 W	ECG ambient temperature [ta]	40	50	60
		Temperature at tc-point [°C]	50	60	70
		Lifetime [h]	100000	100000	100000
	L 18 W	ECG ambient temperature [ta]	40	50	60
		Temperature at tc-point [°C]	50	60	70
		Lifetime [h]	100000	100000	100000
Product name	Lamp group				
QTi DALI 2X36 DIM	DULUX L 36 W	ECG ambient temperature [ta]	40	50	60
		Temperature at tc-point [°C]	55	65	75
		Lifetime [h]	100000	100000	90000
	DULUX L 36 W XT	ECG ambient temperature [ta]	40	50	60
		Temperature at tc-point [°C]	55	65	75
		Lifetime [h]	100000	100000	90000
	L 36 W	ECG ambient temperature [ta]	40	50	60
		Temperature at tc-point [°C]	55	65	75
		Lifetime [h]	100000	100000	90000
Product name	Lamp group				
QTi DALI 2X58 DIM	L 58 W	ECG ambient temperature [ta]	40	50	60
		Temperature at tc-point [°C]	55	65	75
		Lifetime [h]	100000	100000	90000
Product name	Lamp group				
QTi DALI 3X18 DIM	L 18 W	ECG ambient temperature [ta]	40	50	60
		Temperature at tc-point [°C]	55	65	75
		Lifetime [h]	100000	100000	90000
Product name	Lamp group				
QTi DALI 4X18 DIM	L 18 W	ECG ambient temperature [ta]	40	50	60
		Temperature at tc-point [°C]	55	65	75
		Lifetime [h]	100000	100000	90000

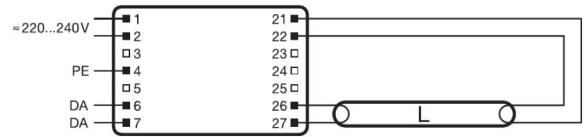
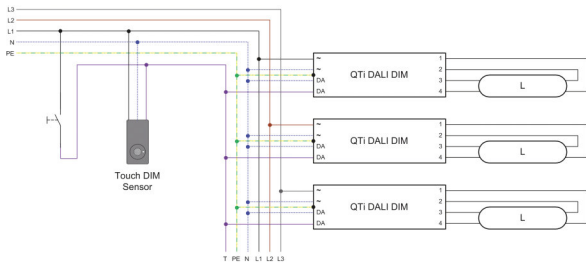
## Capabilities

Product description	Dimmable	Suitable for fixtures with prot. class	End of lamp life safety shutdown
QTi DALI 1X18 DIM	Yes	I	EOL T.2
QTi DALI 1X36 DIM	Yes	I	EOL T.2
QTi DALI 1X58 DIM	Yes	I	EOL T.2
QTi DALI 2X18 DIM	Yes	I	EOL T.2
QTi DALI 2X36 DIM	Yes	I	EOL T.2
QTi DALI 2X58 DIM	Yes	I	EOL T.2
QTi DALI 3X18 DIM	Yes	I	EOL T.2
QTi DALI 4X18 DIM	Yes	I	EOL T.2

## Certificates &amp; standards

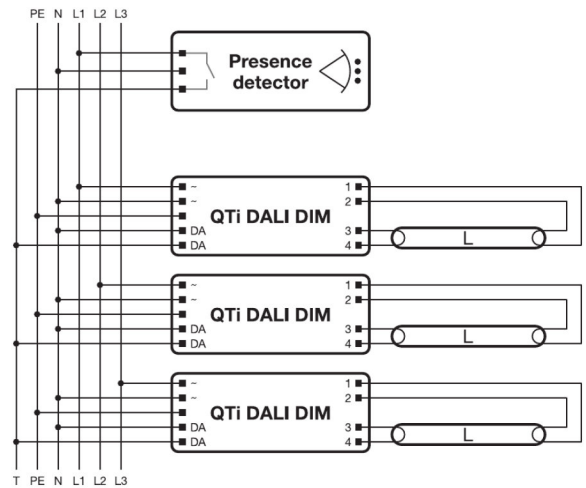
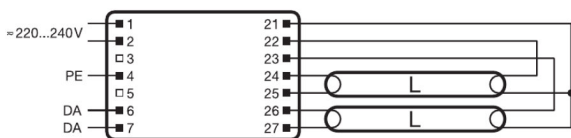
Product description	Approval marks – approval	Protection class
QTi DALI 1X18 DIM	VDE / VDE-EMC / ENEC 10 / EL / GOST / RCM / CCC	I
QTi DALI 1X36 DIM	VDE / VDE-EMC / EL / EAC / RCM / CCC	I
QTi DALI 1X58 DIM	VDE / VDE-EMC / EL / EAC / RCM / CCC	I
QTi DALI 2X18 DIM	VDE / VDE-EMC / EL / EAC / RCM / CCC	I
QTi DALI 2X36 DIM	VDE / VDE-EMC / EL / EAC / RCM / CCC	I
QTi DALI 2X58 DIM	VDE / VDE-EMC / EL / EAC / RCM / CCC	I
QTi DALI 3X18 DIM	VDE / VDE-EMC / EL / EAC / RCM / CCC	I
QTi DALI 4X18 DIM	VDE / VDE-EMC / EL / EAC / RCM / CCC	I

Wiring Diagram



QTi DALI 1X18 DIM, QTi DALI 1X36 DIM, QTi DALI 1X58 DIM,  
 QTi DALI 2X18 DIM, QTi DALI 2X36 DIM, QTi DALI 2X58 DIM,  
 QTi DALI 3X18 DIM, QTi DALI 4X18 DIM

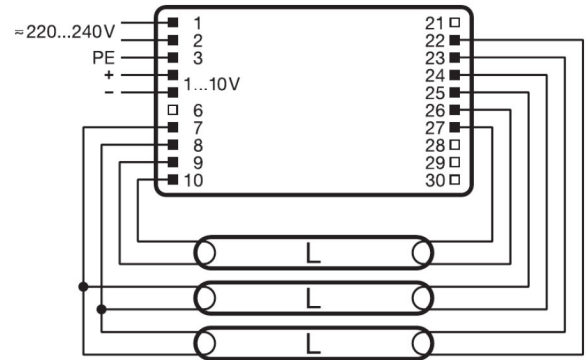
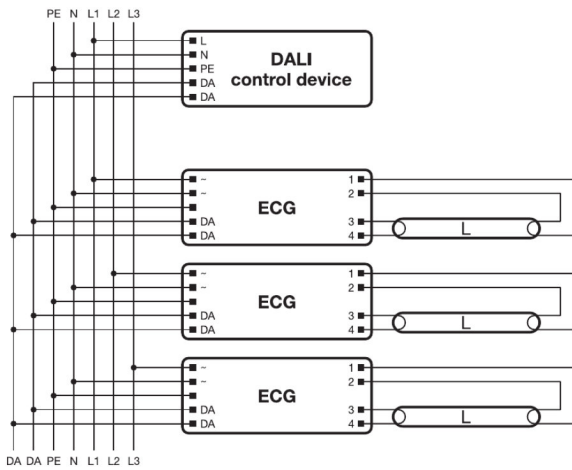
QTi DALI 1X18 DIM, QTi DALI 1X36 DIM, QTi DALI 1X58 DIM



QTi DALI 1X18 DIM, QTi DALI 2X18 DIM, QTi DALI 2X36 DIM,  
 QTi DALI 2X58 DIM

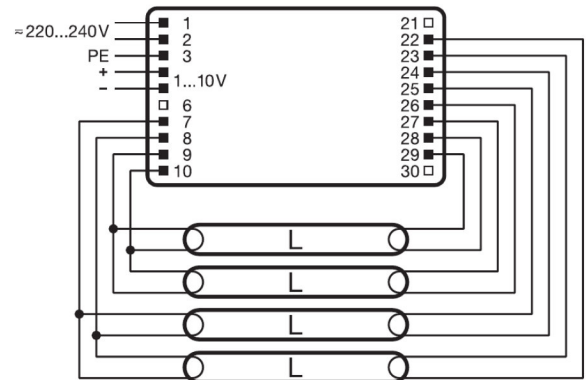
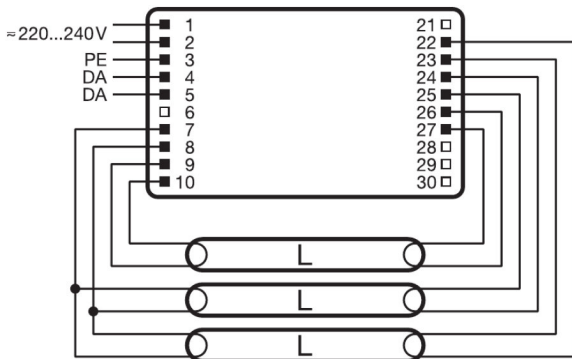
QTi DALI 1X18 DIM, QTi DALI 1X36 DIM, QTi DALI 1X58 DIM,  
 QTi DALI 2X18 DIM, QTi DALI 2X36 DIM, QTi DALI 2X58 DIM,  
 QTi DALI 3X18 DIM, QTi DALI 4X18 DIM





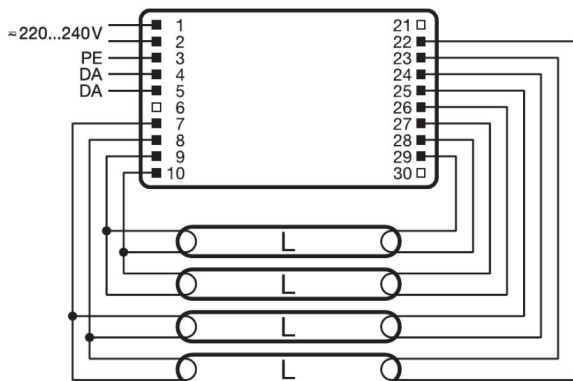
QTi DALI 1X18 DIM, QTi DALI 1X36 DIM, QTi DALI 1X58 DIM,  
 QTi DALI 2X18 DIM, QTi DALI 2X36 DIM, QTi DALI 2X58 DIM,  
 QTi DALI 3X18 DIM, QTi DALI 4X18 DIM

QTi DALI 3X18 DIM



QTi DALI 3X18 DIM

QTi DALI 4X18 DIM



QT i DALI 4X18 DIM

**APPLICATION ADVICE**

For more detailed application information and graphics please see product datasheet.


**SALES AND TECHNICAL SUPPORT**

Sales and Technical Support [www.ledvance.com](http://www.ledvance.com)












**COUNTRY SPECIFIC INFORMATION**

Product description	Product code	METEL code	SEG number	STK-Number	UK Org
QT i DALI 1X18 DIM	4050300870403	OSRQTIDALI1X18	7980234	-	-
QT i DALI 1X36 DIM	4050300870427	OSRQTIDALI1X36	7980235	-	-
QT i DALI 1X58 DIM	4050300870823	OSRQTIDALI1X58	7980236	-	-
QT i DALI 2X18 DIM	4050300870526	OSRQTIDALI2X18	7980237	-	-
QT i DALI 2X36 DIM	4050300870885	OSRQTIDALI2X36	7980238	-	-
QT i DALI 2X58 DIM	4050300870847	OSRQTIDALI2X58	7980239	-	-
QT i DALI 3X18 DIM	4008321069979	OSRQTIDALI3X18	7980240	-	-
QT i DALI 4X18 DIM	4008321070050	OSRQTIDALI4X18	7980241	-	-

**DOWNLOAD DATA**

File
 Addon Technical Information 502689_Frequent switching Quicktronic

	Addon Technical Information 502785_ECG lifetime - QUICKTRONIC (DALI) DIM
	Product Datasheet 321483_ATI QTi DALI 1x18 DIM (G+GB)
	Brochures 333874_Bochure &#150; DALI partner
	Brochures 335514_Applications and luminares solutions
	Certificates 554891_EAC PT family
	Certificates 335097_INOTEC
	Certificates 335125_ENECVDE-Marks approval
	Certificates 335135_Manufacturer's declaration &#150; Burning-in of fluorescent lamps
	Certificates 335153_Manufacturer's declaration &#150; Low stand-by
	Certificates 335154_Manufacturer's declaration &#150; EN 55015:2006+A1:2007 (300 MHz)
	Certificates 335169_Manufacturer's declaration &#150; LampECG combinations: Frequent switching
	Certificates 335190_Manufacturer's declaration &#150;Additional hints
	Certificates 504208_VDE-EMC-CERTIFICATE QTi DALI DIM
	Declarations of conformity 334957_Declaration of conformity
	Installation/Operation notice 334142_Technical guide - ECGs for T5-lamps
	Installation/Operation notice 493509_Technical application guide QUICKTRONIC Intelligent DALI DIM (GB)
	Operating instructions 592411_EAC QTi T5 DALI DIM
	Operating instructions 592413_EAC QTi T8 DALI DIM
	CAD data 3-dim 313428_423x30x21 1881282
	CAD data 3-dim 313430_423x30x21 1881282
	CAD data 3-dim 313432_360x30x21 1881281
	CAD data 3-dim 313433_360x30x21 1881281
	CAD data 3-dim 313444_423x30x21 1881282
	CAD data 3-dim 313453_360x30x21 1881281

	CAD data PDF 313406_360x30x21 1881281
	CAD data PDF 313416_423x30x21 1881282
	Product Datasheet 321484_ATI QT <i>i</i> DALI 1x36 DIM (G+GB)
	Product Datasheet 321486_ATI QT <i>i</i> DALI 2x18 DIM (G+GB)
	Product Datasheet 321487_ATI QT <i>i</i> DALI 2x36 DIM (G+GB)
	Product Datasheet 321488_ATI QT <i>i</i> DALI 2x58 DIM (G+GB)
	Product Datasheet 321489_ATI QT <i>i</i> DALI 3x18 DIM (G+GB)
	CAD data 3-dim 313451_360x40x21 9900042
	CAD data 3-dim 313478_360x40x21 9900042
	CAD data 3-dim 314276_360x40x21 9900042
	CAD data PDF 313387_360x40x21 9900042

**LOGISTICAL DATA**

Product code	Packaging unit (Pieces/Unit)	Dimensions (length x width x height)	Gross weight	Volume
4050300870410	Shipping carton box 20	392 mm x 98 mm x 165 mm	6319.99 g	6.34 dm <sup>3</sup>
4050300870434	Shipping carton box 20	392 mm x 98 mm x 165 mm	5620.00 g	6.34 dm <sup>3</sup>
4050300870830	Shipping carton box 20	392 mm x 98 mm x 165 mm	5679.99 g	6.34 dm <sup>3</sup>
4050300870533	Shipping carton box 20	455 mm x 98 mm x 163 mm	7640.00 g	7.27 dm <sup>3</sup>
4050300870892	Shipping carton box 20	455 mm x 98 mm x 163 mm	7640.00 g	7.27 dm <sup>3</sup>
4050300870854	Shipping carton box 20	455 mm x 98 mm x 163 mm	7640.00 g	7.27 dm <sup>3</sup>
4008321069986	Shipping carton box 20	384 mm x 90 mm x 210 mm	8672.00 g	7.26 dm <sup>3</sup>
4008321070067	Shipping carton box 20	380 mm x 96 mm x 206 mm	7752.50 g	7.51 dm <sup>3</sup>

The mentioned product code describes the smallest quantity unit which can be ordered. One shipping unit can contain one or more single products. When placing an order, for the quantity please enter single or multiples of a shipping unit.

**REFERENCES / LINKS**

For more information on the system guarantee and the terms and conditions of the guarantee visit

▶ [www.ledvance.com/system-guarantee](http://www.ledvance.com/system-guarantee)

---

**DISCLAIMER**

Subject to change without notice. Errors and omission excepted. Always make sure to use the most recent release.