

PRODUCT DATASHEET

ST 151 LONGLIFE

Starters for series operation at 230 V AC



PRODUCT FEATURES

- Temperature range for reliable cut-out: -20...+80 °C

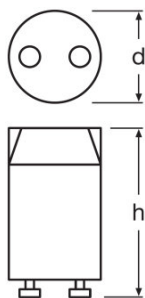


TECHNICAL DATA

Electrical data

Nominal voltage	220...240 V
Nominal wattage	22.00 W
Mains frequency	50...60 Hz

Dimensions & weight



Length	40.3 mm
---------------	---------

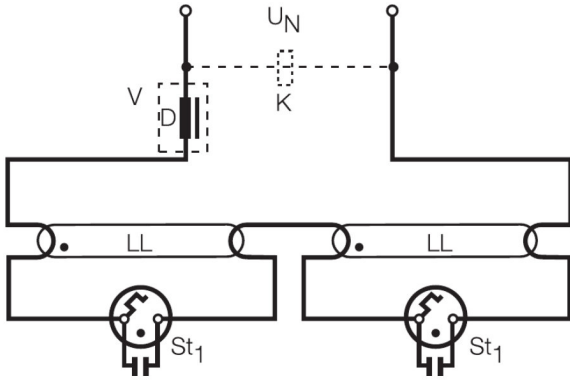
Additional product data

Show WEEE picto	Yes
------------------------	-----

Capabilities

Dimmable	No
-----------------	----

Wiring Diagram



Wiring diagram

LOGISTICAL DATA

Product code	Packaging unit (Pieces/Unit)	Dimensions (length x width x height)	Gross weight	Volume
4050300012803	Unpacked 1	36 mm x 18 mm x 21 mm	12.60 g	0.01 dm ³
4050300212876	Shipping carton box 1200	400 mm x 235 mm x 325 mm	8362.00 g	30.55 dm ³
4050300092638	Blister 2	111 mm x 24 mm x 68 mm	26.10 g	0.18 dm ³
4050300119595	Shipping carton box 20	165 mm x 154 mm x 133 mm	308.67 g	3.38 dm ³
4050300854083	Unpacked 1	37 mm x 19 mm x 20 mm	6.64 g	0.01 dm ³
4050300797885	Tray 25	111 mm x 59 mm x 111 mm	169.46 g	0.73 dm ³
4050300797892	Shipping carton box 400	227 mm x 179 mm x 227 mm	2796.25 g	9.22 dm ³

The mentioned product code describes the smallest quantity unit which can be ordered. One shipping unit can contain one or more single products. When placing an order, for the quantity please enter single or multiples of a shipping unit.

DISCLAIMER

Subject to change without notice. Errors and omission excepted. Always make sure to use the most recent release.