

PRODUCT DATASHEET

LU 18 W/830

U-shaped T8 | U-shaped fluorescent lamps 26 mm, with 2G13 base



AREAS OF APPLICATION

- Street lighting, city lighting
- Industry

PRODUCT BENEFITS

- Extremely economical
- Good quality of light
- Excellent luminous flux

PRODUCT FEATURES

- Good color rendering group: 1B (R_a : 80...89)
- Good average lifetime
- Double-capped U-shaped fluorescent lamp



TECHNICAL DATA

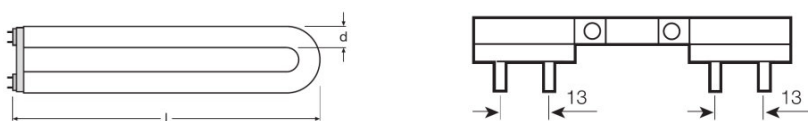
Electrical data

Rated lamp efficacy (HF data 25 °C)	Under clarification by authority and standardization body
Rated wattage	18.00 W
Nominal wattage	18.00 W

Photometrical data

Rated lamp efficacy (standard condition)	75 lm/W
Color rendering index Ra	80...89
Rated luminous flux	1350 lm
Luminous flux at 25 °C	1350 lm
Light color	830
Rated color temperature	3000 K
Nominal luminous flux	1350 lm
Light color (designation)	LUMILUX Warm White
Rated LLMF at 2,000 h	0.85
Rated LLMF at 4,000 h	0.78
Rated LLMF at 6,000 h	0.73
Color temperature	3000 K
Luminous flux	1350 lm
Color rendering index Ra	80...89

Dimensions & weight



Tube diameter	26 mm
Length	310.0 mm
Length with base excl. base pins/connection	310.00 mm
Diameter	26.0 mm
Maximum diameter	26.0 mm

Temperatures & operating conditions

Rated ambient temp.w.max.luminous flux	25.0 °C
---	---------

Lifespan

Service life	5250 h
Lifespan	7500 h
Rated lamp survival factor at 2,000 h	0.99
Rated lamp survival factor at 4,000 h	0.98
Rated lamp survival factor at 6,000 h	0.81
Operation mode LLMF/LSF	50 Hz
Rated lamp life time	7500 h
Nominal lamp life time	7500 h

Additional product data

Base (standard designation)	2G13
Mercury content	8.0 mg
Show WEEE picto	Yes

Capabilities

Suitable for indoor	Yes
----------------------------	-----

Certificates & standards

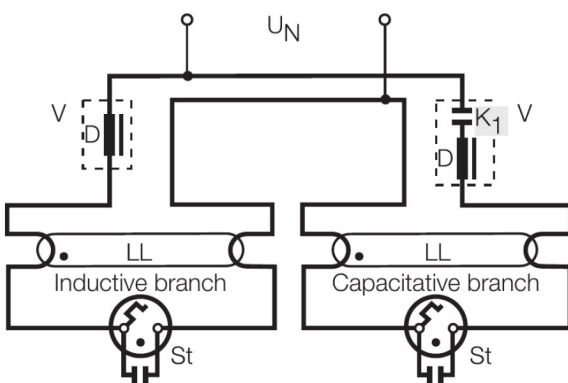
Energy efficiency class	A
Energy consumption	22 kWh/1000h

Light Distribution



Spectral power distribution

Wiring Diagram



Wiring diagram

SYSTEM GUARANTEE

OSRAM System+ Guarantee in combination with OSRAM ECGs

EQUIPMENT / ACCESSORIES

– Suitable for operation on electronic and conventional control gears

SAFETY ADVICE

In case of lamp breakage: www.ledvance.com/brokenlamp

LOGISTICAL DATA

Product code	Packaging unit (Pieces/Unit)	Dimensions (length x width x height)	Gross weight	Volume
4008321959904	Sleeves 1	122 mm x 320 mm x 30 mm	163.00 g	1.17 dm ³
4008321960009	Shipping carton box 24	645 mm x 262 mm x 194 mm	4195.00 g	32.78 dm ³

The mentioned product code describes the smallest quantity unit which can be ordered. One shipping unit can contain one or more single products. When placing an order, for the quantity please enter single or multiples of a shipping unit.

DISCLAIMER

Subject to change without notice. Errors and omission excepted. Always make sure to use the most recent release.

U-shaped T8 | U-shaped fluorescent lamps 26 mm, with 2G13 base

Product name	Product name ECG	EAN	Nominal current	Nominal wattage + Power loss	Luminous flux at 35 °C	Number of lighting outlets
L U 18 W/830	QT-ECO 1x18-24/220-240 L		0.14 A	19.50 W	1100 lm	1
	QT-ECO 1x18-24/220-240 S	4050300638560	0.14 A	19.50 W	1100 lm	1
	QTP-OPTIMAL 1x18-40	4008321873743	0.10 A	20.00 W	1100 lm	1
	QTP-OPTIMAL 2x18-40	4008321873767	0.17 A	39.00 W	1100 lm	2

Product name	Product name ECG	EAN	EEI – Energy Label
L U 18 W/830	QT-ECO 1x18-24/220-240 L		A3
	QT-ECO 1x18-24/220-240 S	4050300638560	A3
	QTP-OPTIMAL 1x18-40	4008321873743	
	QTP-OPTIMAL 2x18-40	4008321873767	