

# PRODUCT DATASHEET

## L 18 W/830 XXT

LUMILUX XXT T8 | Tubular fluorescent lamps 26 mm, with G13 bases, extra long life



---

### AREAS OF APPLICATION

- Installations where relamping would disturb normal operations
- Street lighting
- Public buildings
- Industry
- Shops
- Supermarkets and department stores

---

### PRODUCT BENEFITS

- Much lower total cost of ownership (TCO) compared with T8 LUMILUX lamps
- Service life 4.1 times higher than that of a standard LUMILUX lamp
- Longer standard lifetime, so fewer lamps for waste disposal

---

### PRODUCT FEATURES

- Extremely reliable: long life, low premature failure rate, 90 % luminous flux throughout their life
- Service life: up to 75,000 h on ECGs or up to 58,000 h on CCGs
- Good color rendering group: 1B ( $R_a$ : 80...89)
- Dimmable with suitable ECG (for details see the Technical Guide)
- Top-quality three-band phosphor: LUMILUX



**TECHNICAL DATA**

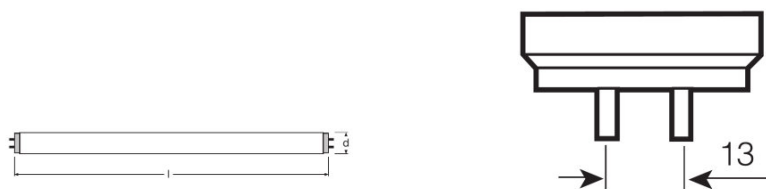
Electrical data

Rated lamp efficacy (HF data 25 °C)	Under clarification by authority and standardization body
Rated wattage	18.00 W
Nominal wattage	18.00 W
Lamp current	0.37 A

Photometrical data

Rated lamp efficacy (standard condition)	75 lm/W
Color rendering index Ra	≥80
Rated luminous flux	1350 lm
Luminous flux at 25 °C	1350 lm
Light color	830
Rated color temperature	3000 K
Nominal luminous flux	1350 lm
Light color (designation)	LUMILUX Warm White
Rated LLMF at 2,000 h	0.96
Rated LLMF at 4,000 h	0.94
Rated LLMF at 6,000 h	0.94
Rated LLMF at 8,000 h	0.93
Rated LLMF at 12,000 h	0.92
Rated LLMF at 16,000 h	0.91
Rated LLMF at 20,000 h	0.91
Color temperature	3000 K
Luminous flux	1350 lm
Color rendering index Ra	≥80

Dimensions & weight



G13  
IEC 7004-51  
DIN 49653 T1

Tube diameter	26 mm
---------------	-------

<b>Length</b>	590.0 mm
<b>Length with base excl. base pins/connection</b>	590.00 mm
<b>Diameter</b>	26.0 mm
<b>Maximum diameter</b>	26.0 mm

### Temperatures & operating conditions

<b>Rated ambient temp.w.max.luminous flux</b>	25.0 °C
---	---------

### Lifespan

<b>Service life</b>	75000 h <sup>1)</sup>
<b>Lifespan</b>	90000 h <sup>1)</sup>
<b>Rated lamp survival factor at 2,000 h</b>	0.99
<b>Rated lamp survival factor at 4,000 h</b>	0.99
<b>Rated lamp survival factor at 6,000 h</b>	0.99
<b>Rated lamp survival factor at 8,000 h</b>	0.99
<b>Rated lamp survival factor at 12,000 h</b>	0.99
<b>Rated lamp survival factor at 16,000 h</b>	0.99
<b>Rated lamp survival factor at 20,000 h</b>	0.99
<b>Operation mode LLMF/LSF</b>	HF
<b>Rated lamp life time</b>	90000 h
<b>Nominal lamp life time</b>	90000 h

<sup>1)</sup> With OSRAM preheat ECG (BAT)

### Additional product data

<b>Base (standard designation)</b>	G13
<b>Mercury content</b>	3.3 mg
<b>Show WEEE picto</b>	Yes

### Capabilities

<b>Dimmable</b>	Yes
<b>Suitable for indoor</b>	Yes

### Certificates & standards

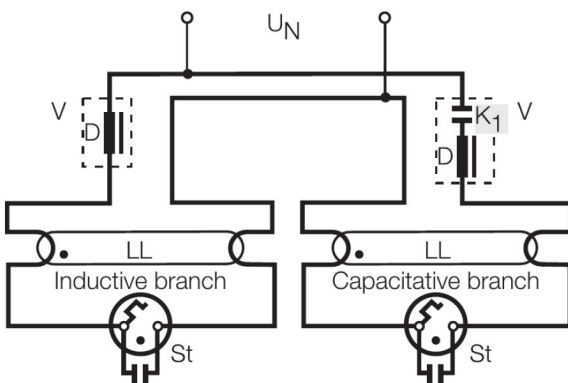
<b>Energy efficiency class</b>	A
<b>Energy consumption</b>	22 kWh/1000h

## Light Distribution



Spectral power distribution

## Wiring Diagram



Wiring diagram

---

## SYSTEM GUARANTEE

OSRAM System+ Guarantee in combination with OSRAM ECGs

---

## SAFETY ADVICE

In case of lamp breakage: [www.ledvance.com/brokenlamp](http://www.ledvance.com/brokenlamp)

Luminaire must be cleaned regularly to avoid loss of luminous flux.

---

## LOGISTICAL DATA

Product code	Packaging unit (Pieces/Unit)	Dimensions (length x width x height)	Gross weight	Volume
4008321923646	Sleeves 1	605 mm x 27 mm x 27 mm	97.00 g	0.44 dm <sup>3</sup>
4008321923653	Shipping carton box 25	632 mm x 142 mm x 145 mm	2625.00 g	13.01 dm <sup>3</sup>

The mentioned product code describes the smallest quantity unit which can be ordered. One shipping unit can contain one or more single products. When placing an order, for the quantity please enter single or multiples of a shipping unit.

---

## REFERENCES / LINKS

For more information on the system guarantee and the terms and conditions of the guarantee visit

▶ [www.ledvance.com/system-guarantee](http://www.ledvance.com/system-guarantee)

---

## DISCLAIMER

Subject to change without notice. Errors and omission excepted. Always make sure to use the most recent release.

## LUMILUX XXT T8 | Tubular fluorescent lamps 26 mm, with G13 bases, extra long life

Product name	Product name ECG	EAN	Nominal current	Nominal wattage + Power loss	Luminous flux at 35 °C	Number of lighting outlets
L 18 W/830 XXT	QT-FIT 5/8 1x18-39	4008321873927	0.10 A	21.00 W	1350 lm	1
	QT-FIT 5/8 2x18-39	4008321873903	0.17 A	39.00 W	1350 lm	2
	QT-FIT8 1x18	4008321294180	0.09 A	19.00 W	1350 lm	1
	QT-FIT8 2x18	4008321294241	0.16 A	36.00 W	1350 lm	2
	QT-FIT8 3x18, (4x18)	4008321294302	0.25 A	54.00 W	1350 lm	3
	QT-FIT8 3x18, (4x18)	4008321294302	0.33 A	74.00 W	1350 lm	4
	QTi 1x14/24/21/39 GII	4008321383334	0.09 A	19.00 W	1350 lm	1
	QTi 1x18 DIM		0.08 A	19.00 W	1350 lm	1
	QTi 2x14/24/21/39 GII	4008321383396	0.17 A	37.00 W	1350 lm	2
	QTi 3x18 DIM	4008321069931	0.24 A	53.60 W	1350 lm	3
	QTi 4x18 DIM	4008321070012	0.31 A	69.30 W	1350 lm	4
	QTi DALI 1x18 DIM	4050300870403	0.08 A	18.30 W	1350 lm	1
	QTi DALI 2x18 DIM	4050300870526	0.16 A	36.50 W	1350 lm	2
	QTi DALI 3x18 DIM	4008321069979	0.24 A	53.60 W	1350 lm	3
	QTi DALI 4x18 DIM	4008321070050	0.31 A	69.30 W	1350 lm	4
	QTP-DL 1x18-24	4008321117861	0.09 A	18.00 W	1300 lm	1
	QTP-DL 2x18-24		0.17 A	37.00 W	1300 lm	2
	QTP-M 1x26-42	4008321329134	0.10 A	19.00 W	1350 lm	1
	QTP-M 2x26-32	4008321329158	0.17 A	36.00 W	1350 lm	2
	QTP-OPTIMAL 1x18-40	4008321873743	0.10 A	20.00 W	1350 lm	1
QTP-OPTIMAL 2x18-40	4008321873767	0.17 A	39.00 W	1350 lm	2	