

PRODUCT DATASHEET

L 16 W/830 ES

LUMILUX T8 ES | Tubular fluorescent lamps 26 mm, with G13 bases, energy saver



AREAS OF APPLICATION

- Public buildings
- Office lighting
- Industry
- Shops
- Supermarkets and department stores

PRODUCT BENEFITS

- Simple direct replacement in existing CCG/LLG systems
- Instant energy savings in existing CCG/LLG systems
- Up to 10 % lower energy consumption on conventional control gear
- Reduction in CO₂ emissions (51 W: 14 kg per year, 70 kg over the life of the lamp – energy mix: 0.5 kg/kWh)
- Pay-back time less than 1 year
- Energy savings in combination with QTP-OPTIMAL and QT-FIT in new systems

PRODUCT FEATURES

- Very good lumen maintenance: 90 % throughout the service lifetime of the lamp
- Good color rendering group: 1B (R_a: 80...89)



TECHNICAL DATA

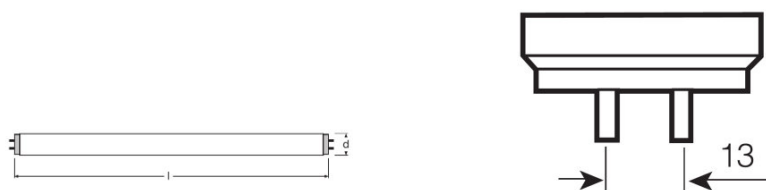
Electrical data

Nominal voltage	90 V
Rated lamp efficacy (HF data 25 °C)	Under clarification by authority and standardization body
Rated wattage	15.80 W
Nominal wattage	16.00 W

Photometrical data

Rated lamp efficacy (standard condition)	70 lm/W
Color rendering index Ra	≥80
Rated luminous flux	1100 lm
Luminous flux at 25 °C	1050 lm
Light color	830
Rated color temperature	3000 K
Luminous flux	1100 lm
Light color (designation)	LUMILUX Warm White
Rated LLMF at 2,000 h	0.95
Rated LLMF at 4,000 h	0.93
Rated LLMF at 6,000 h	0.91
Rated LLMF at 8,000 h	0.90
Rated LLMF at 12,000 h	0.89
Color temperature	3000 K
Nominal luminous flux	1100 lm
Color rendering index Ra	≥80

Dimensions & weight



G13
IEC 7004-51
DIN 49653 T1

Tube diameter	26 mm
Length	590.0 mm
Length with base excl. base pins/connection	590.00 mm

Diameter	26.0 mm
Maximum diameter	26.0 mm

Temperatures & operating conditions

Rated ambient temp.w.max.luminous flux	25.0 °C
---	---------

Lifespan

Service life	18000 h ¹⁾
Lifespan	20000 h ¹⁾
Rated lamp survival factor at 2,000 h	0.99
Rated lamp survival factor at 4,000 h	0.99
Rated lamp survival factor at 6,000 h	0.99
Rated lamp survival factor at 8,000 h	0.99
Rated lamp survival factor at 12,000 h	0.90
Operation mode LLMF/LSF	50 Hz
Rated lamp life time	20000 h
Nominal lamp life time	20000 h

¹⁾ With preheat ECG

Additional product data

Base (standard designation)	G13
Mercury content	2.5 mg
Show WEEE picto	Yes

Capabilities

Suitable for indoor	Yes
----------------------------	-----

Certificates & standards

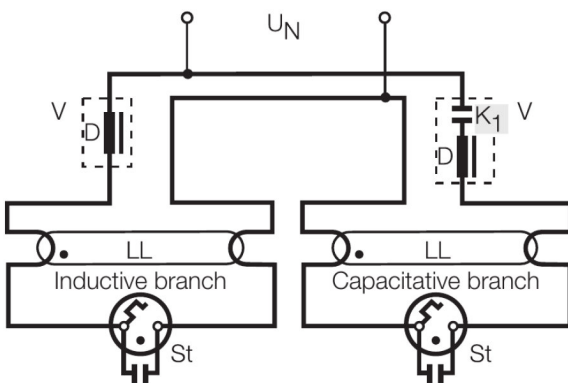
Energy efficiency class	A
Energy consumption	20 kWh/1000h

Light Distribution



Spectral power distribution

Wiring Diagram



Wiring diagram

SAFETY ADVICE

In case of lamp breakage: www.ledvance.com/brokenlamp
Not released for dimming operation.

LOGISTICAL DATA

Product code	Packaging unit (Pieces/Unit)	Dimensions (length x width x height)	Gross weight	Volume
4008321955791	Sleeves 1	605 mm x 27 mm x 27 mm	97.00 g	0.44 dm ³
4008321955807	Shipping carton box 25	632 mm x 142 mm x 145 mm	2625.00 g	13.01 dm ³

The mentioned product code describes the smallest quantity unit which can be ordered. One shipping unit can contain one or more single products. When placing an order, for the quantity please enter single or multiples of a shipping unit.

DISCLAIMER

Subject to change without notice. Errors and omission excepted. Always make sure to use the most recent release.

LUMILUX T8 ES | Tubular fluorescent lamps 26 mm, with G13 bases, energy saver

Product name	Product name ECG	EAN	Nominal current	Nominal wattage + Power loss	Luminous flux at 35 °C	Number of lighting outlets
L 16 W/830 ES	QT-FIT 5/8 1x18-39	4008321873927	0.08 A	18.00 W	1100 lm	1
	QT-FIT 5/8 2x18-39	4008321873903	0.15 A	33.00 W	1100 lm	2
	QT-FIT8 1x18	4008321294180	0.08 A	17.20 W	1100 lm	1
	QT-FIT8 2x18	4008321294241	0.14 A	32.40 W	1100 lm	2
	QT-FIT8 3x18, (4x18)	4008321294302	0.21 A	47.10 W	1100 lm	3
	QT-FIT8 (3x18), 4x18	4008321294302	0.28 A	21.20 W	1100 lm	4
	QTP-OPTIMAL 1x18-40	4008321873743	0.08 A	18.00 W	1100 lm	1
	QTP-OPTIMAL 2x18-40	4008321873767	0.15 A	33.00 W	1100 lm	2