

PRODUCT DATASHEET

L 10 W/827

LUMILUX T8 | Tubular fluorescent lamps 26 mm, with G13 bases



AREAS OF APPLICATION

- Public buildings
- Office lighting
- Industry
- Shops
- Supermarkets and department stores
- Street lighting
- Outdoor applications only in suitable luminaires

PRODUCT BENEFITS

- Proven lamp technology
- Good economy thanks to high efficiency
- Available in many different light colors (2,700...8,000 K) for various applications

PRODUCT FEATURES

- Very good lumen maintenance: 90 % throughout the service lifetime of the lamp
- Good color rendering group: 1B (R_a : 80...89)
- Dimmable
- Top-quality three-band phosphor: LUMILUX



TECHNICAL DATA

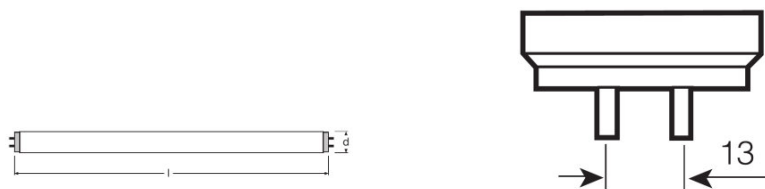
Electrical data

Rated lamp efficacy (HF data 25 °C)	N/A
-------------------------------------	-----

Photometrical data

Luminous flux at 25 °C	650 lm
Light color	827
Light color (designation)	LUMILUX INTERNA
Color temperature	2700 K
Luminous flux	650 lm
Color rendering index Ra	80...89

Dimensions & weight



G13
IEC 7004-51
DIN 49653 T1

Tube diameter	26 mm
Length with base excl. base pins/connection	470.00 mm
Diameter	26.0 mm

Lifespan

Service life	16000 h ¹⁾
Lifespan	20000 h ¹⁾

¹⁾ With preheat ECG

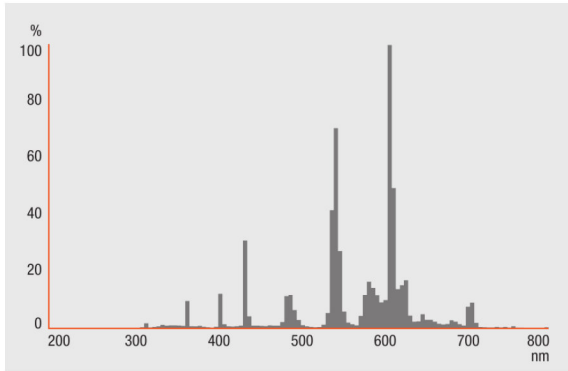
Additional product data

Show WEEE picto	Yes
-----------------	-----

Capabilities

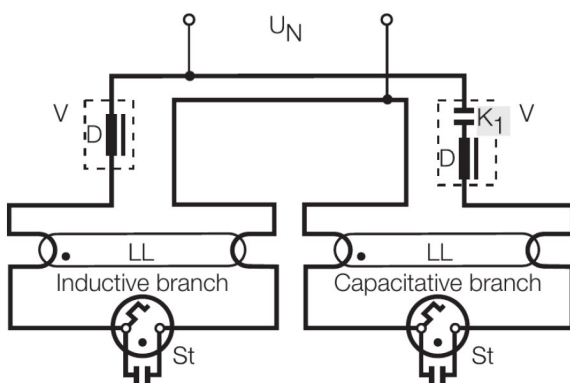
Dimmable	Yes
----------	-----

Light Distribution



Spectral power distribution

Wiring Diagram



Wiring diagram

SYSTEM GUARANTEE

OSRAM System+ Guarantee in combination with OSRAM ECGs

SAFETY ADVICE

In case of lamp breakage: www.ledvance.com/brokenlamp

REFERENCES / LINKS

For more information on the system guarantee and the terms and conditions of the guarantee visit

▶ www.ledvance.com/system-guarantee

DISCLAIMER

Subject to change without notice. Errors and omission excepted. Always make sure to use the most recent release.

LUMILUX T8 | Tubular fluorescent lamps 26 mm, with G13 bases

Product name	Product name ECG	EAN	Nominal current	Nominal wattage + Power loss	Luminous flux at 35 °C	Number of lighting outlets
L 10 W/827	QT-ECO 1x4-16/220-240 L	4050300660370	0.10 A	12.00 W	650 lm	1
	QT-ECO 1x4-16/220-240 S	4050300638584	0.10 A	12.00 W	650 lm	1
	QT-ECO 2x5-11/220-240 S	4050300821504	0.14 A	20.00 W	600 lm	2