

# PRODUCT DATASHEET

## DULUX L SP 18 W/830 2G11

OSRAM DULUX L SP | CFLni, with 4-pin 2G11 base for ECG/CCG operation, low temperatur



---

### AREAS OF APPLICATION

- Street and city lighting
- Industry
- Applications with special thermal requirements

---

### PRODUCT BENEFITS

- Very economical
- Optimum luminous flux at low ambient temperatures (+5 °C)
- Good quality of light
- Long service life

---

### PRODUCT FEATURES

- Short and compact pin-base lamp with double-turn tubes
- Single-ended four-pin plug-in 2G11 base
- Average life: 20,000 h (with QUICKTRONIC)
- Color rendering index  $R_a: \geq 80$



**TECHNICAL DATA**

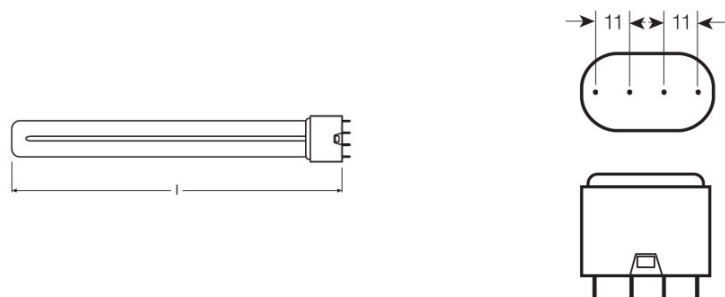
Electrical data

<b>Rated wattage</b>	18.00 W
<b>Nominal wattage</b>	18.00 W

Photometrical data

<b>Nominal luminous flux</b>	1120 lm
<b>Luminous flux at 25 °C</b>	1200 lm
<b>Rated luminous flux</b>	1120 lm
<b>Rated color temperature</b>	3000 K
<b>Color rendering index Ra</b>	≥80
<b>Rated LLMF at 4,000 h</b>	0.86
<b>Rated LLMF at 6,000 h</b>	0.84
<b>Rated LLMF at 8,000 h</b>	0.81
<b>Rated LLMF at 12,000 h</b>	0.79
<b>Rated LLMF at 16,000 h</b>	0.78
<b>Rated LLMF at 20,000 h</b>	0.76
<b>Light color (designation)</b>	LUMILUX Warm White
<b>Color temperature</b>	3000 K
<b>Luminous flux</b>	1120 lm
<b>Color rendering index Ra</b>	≥80

Dimensions & weight



<b>Diameter</b>	17.5 mm
<b>Overall length</b>	206.5 mm
<b>Tube diameter</b>	17.5 mm
<b>Length</b>	209.0 mm
<b>Length with base excl. base pins/connection</b>	209.00 mm
<b>Outer bulb</b>	T16

<b>Maximum diameter</b>	17.0 mm
-------------------------	---------

### Temperatures & operating conditions

<b>Rated ambient temp.w.max.luminous flux</b>	25.0 °C
---	---------

### Lifespan

<b>Nominal lamp life time</b>	20000 h
<b>Rated lamp life time</b>	20000 h
<b>Service life</b>	13000 h <sup>1)</sup>
<b>Rated lamp survival factor at 2,000 h</b>	0.99
<b>Rated lamp survival factor at 4,000 h</b>	0.99
<b>Rated lamp survival factor at 6,000 h</b>	0.99
<b>Rated lamp survival factor at 8,000 h</b>	0.99
<b>Rated lamp survival factor at 12,000 h</b>	0.95
<b>Rated lamp survival factor at 16,000 h</b>	0.81
<b>Rated lamp survival factor at 20,000 h</b>	0.50
<b>Operation mode LLMF/LSF</b>	HF
<b>Lifespan</b>	20000 h <sup>1)</sup>

<sup>1)</sup> With preheat ECG

### Additional product data

<b>Base (standard designation)</b>	2G11
<b>Mercury content</b>	2.3 mg

### Capabilities

<b>Suitable for indoor</b>	Yes
----------------------------	-----

### Certificates & standards

<b>Energy consumption</b>	20 kWh/1000h
<b>Energy efficiency class</b>	A

### Country-specific categorizations

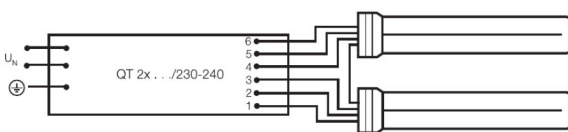
<b>ILCOS</b>	FSD//L-18/830-E-2G11-43,9/209
--------------	-------------------------------

## Light Distribution

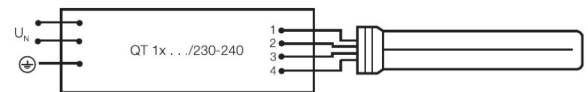


Spectral power distribution

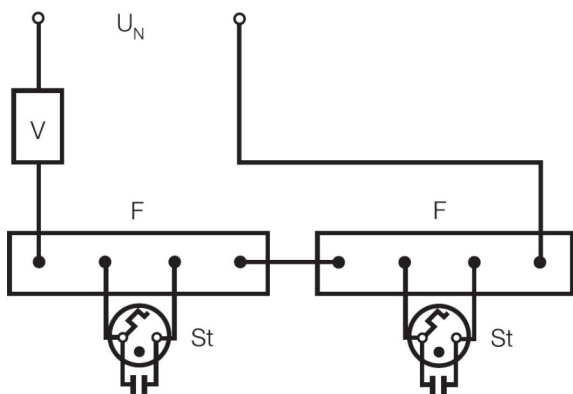
## Wiring Diagram



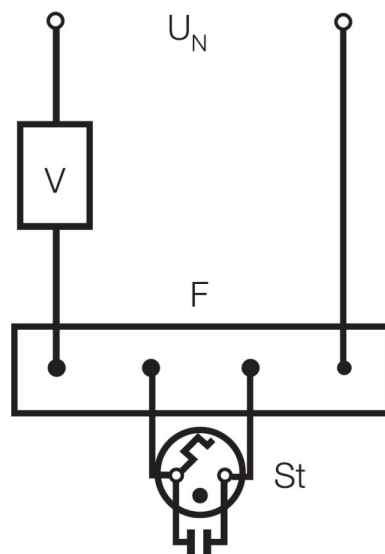
Wiring diagram



Wiring diagram



Wiring diagram



Wiring diagram

**EQUIPMENT / ACCESSORIES**

- Suitable for operation on electronic and conventional control gear

**SAFETY ADVICE**

In case of lamp breakage: [www.ledvance.com/brokenlamp](http://www.ledvance.com/brokenlamp)

**LOGISTICAL DATA**

Product code	Packaging unit (Pieces/Unit)	Dimensions (length x width x height)	Gross weight	Volume
4050300300276	Folding carton box 1	246 mm x 27 mm x 46 mm	73.33 g	0.31 dm <sup>3</sup>
4050300300283	Shipping carton box 10	260 mm x 128 mm x 119 mm	784.67 g	3.96 dm <sup>3</sup>

The mentioned product code describes the smallest quantity unit which can be ordered. One shipping unit can contain one or more single products. When placing an order, for the quantity please enter single or multiples of a shipping unit.

**DISCLAIMER**

Subject to change without notice. Errors and omission excepted. Always make sure to use the most recent release.

OSRAM DULUX L SP | CFLni, with 4-pin 2G11 base for ECG/CCG operation, low temperatur

Product name	Product name ECG	EAN	Nominal current	Nominal wattage + Power loss	Luminous flux at 35 °C	Number of lighting outlets
DULUX L SP 18 W/830 2G11	QT 1x18 DIM	4008321645647	0.08 A	18.90 W	1350 lm	1
	QT 2x18 DIM	4008321645852	0.17 A	37.70 W	1350 lm	2
	QT-ECO 1x18-24/220-240 L	4050300660417	0.13 A	18.00 W	1200 lm	1
	QT-ECO 1x18-24/220-240 S	4050300638560	0.13 A	18.00 W	1200 lm	1
	QTi 1x18 DIM		0.08 A	19.00 W	1200 lm	1
	QTi 3x18 DIM	4008321069931	0.24 A	53.60 W	1200 lm	3
	QTi 4x18 DIM	4008321070012	0.31 A	69.30 W	1200 lm	4
	QTi DALI 1x18 DIM	4050300870403	0.08 A	18.00 W	1200 lm	1
	QTi DALI 2x18 DIM	4050300870526	0.16 A	37.00 W	1200 lm	2
	QTi DALI 3x18 DIM	4008321069979	0.24 A	53.60 W	1200 lm	3
	QTi DALI 4x18 DIM	4008321070050	0.31 A	69.30 W	1200 lm	4
	QTP-DL 1x18-24	4008321117861	0.085 A	18.00 W	1200 lm	1
	QTP-DL 2x18-24		0.16 A	36.00 W	1200 lm	2
	QTP-M 1x26-42	4008321329134	0.09 A	18.00 W	1150 lm	1
	QTP-M 2x26-32	4008321329158	0.16 A	36.00 W	1150 lm	2
	QTP-OPTIMAL 1x18-40	4008321873743	0.09 A	19.00 W	1150 lm	1
	QTP-OPTIMAL 2x18-40	4008321873767	0.16 A	36.00 W	1150 lm	2

Product name	Product name ECG	EAN	EEI – Energy Label
DULUX L SP 18 W/830 2G11	QT 1x18 DIM	4008321645647	
	QT 2x18 DIM	4008321645852	
	QT-ECO 1x18-24/220-240 L	4050300660417	A2
	QT-ECO 1x18-24/220-240 S	4050300638560	A2
	QTi 1x18 DIM		

Product name	Product name ECG	EAN	EEI – Energy Label
	QTi 3x18 DIM	4008321069931	
	QTi 4x18 DIM	4008321070012	
	QTi DALI 1x18 DIM	4050300870403	
	QTi DALI 2x18 DIM	4050300870526	
	QTi DALI 3x18 DIM	4008321069979	
	QTi DALI 4x18 DIM	4008321070050	
	QTP-DL 1x18-24	4008321117861	
	QTP-DL 2x18-24		
	QTP-M 1x26-42	4008321329134	
	QTP-M 2x26-32	4008321329158	
	QTP-OPTIMAL 1x18-40	4008321873743	
	QTP-OPTIMAL 2x18-40	4008321873767	