

PRODUCT FAMILY DATASHEET

DECOSTAR 51 COOL BLUE

Halogen dichroic reflector lamps with 51 mm diameter



AREAS OF APPLICATION

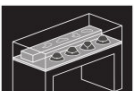
- Shops selling jewellery, glassware or ceramic goods

PRODUCT BENEFITS

- Brilliant accent light
- Dichroic reflector reduces the heat in the light beam by up to 66 %
- Approved for use in open luminaires (to IEC 60598-1)
- UV filter
- Contains no mercury

PRODUCT FEATURES

- Average life: 4,000 h
- 100 % dimmable
- Color rendering index R_a : 95
- Color temperature: 4,400 K
- Diameter: 51 mm
- Coated deco cover for bluish white light

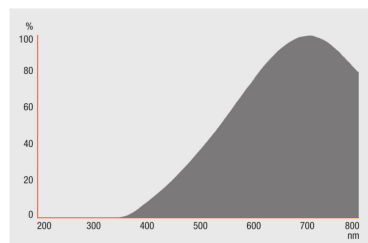
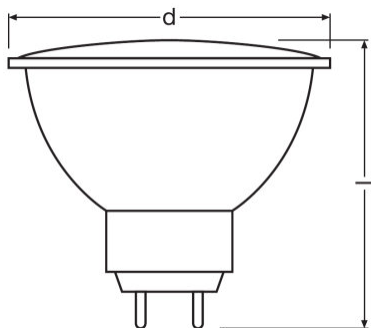


TECHNICAL DATA

Product description	Electrical data				Photometrical data						
	Nominal wattage	Nominal voltage	Rated wattage	Power factor λ	Color temperature	Light color (designation)	Color rendering index Ra	Lumen main.fact.at end of nom.life time	Color temperature	Luminous flux	Color rendering index Ra
DECOSTAR CB 50 W 12 V 36° GU5.3	50.00 W	12 V	50.00 W	1.00	4500 K	Warm White	100	0.75	4500 K	680 lm	100

Product description	Light technical data			Dimensions & weight	Lifespan			Additional product data		
	Beam angle	Starting time	Warm-up time (60 %)	Diameter	Nominal lamp life time	Rated lamp life time	Number of switching cycles	Base (standard designation)	Mercury content	Mercury-free
DECOSTAR CB 50 W 12 V 36° GU5.3	36 °	0.0 s	0.00 s	51.0 mm	4000 h	4000 h	100000	GU5.3	0.0 mg	Yes

Product description	Capabilities		Certificates & standards	Country-specific categorizations
	Burning position	Dimmable	Energy consumption	ILCOS
DECOSTAR CB 50 W 12 V 36° GU5.3	Any	Yes	54 kWh/1000h	HRGS//UB-50-12-GU5.3-51/36



DECOSTAR CB 50 W 12 V 36° GU5.3

DECOSTAR CB 50 W 12 V 36° GU5.3

APPLICATION ADVICE

For more detailed application information and graphics please see product datasheet.

LOGISTICAL DATA

Product code	Packaging unit (Pieces/Unit)	Dimensions (length x width x height)	Gross weight	Volume
4050300816678	Shipping carton box 20	208 mm x 124 mm x 143 mm	851.25 g	3.69 dm ³

The mentioned product code describes the smallest quantity unit which can be ordered. One shipping unit can contain one or more single products. When placing an order, for the quantity please enter single or multiples of a shipping unit.

DISCLAIMER

Subject to change without notice. Errors and omission excepted. Always make sure to use the most recent release.