

PRODUCT FAMILY DATASHEET

DECOSTAR 51 ALU

Halogen alu coated glas reflector lamps with 51 mm diameter



AREAS OF APPLICATION

- General illumination
- Shops
- Restaurants, hotels and similar prestigious applications
- Offices, public buildings

PRODUCT BENEFITS

- Brilliant accent light
- No light can escape at the back of the reflector
- Approved for use in open luminaires (to IEC 60598-1)
- UV filter
- Aluminum-coated reflector without a shield reduces thermal load in luminaire
- Reduced thermal load: ~60 % compared with aluminum-coated reflectors with shield
- Reduced thermal load: ~80 % compared with dichroic reflectors with shield
- Contains no mercury

PRODUCT FEATURES

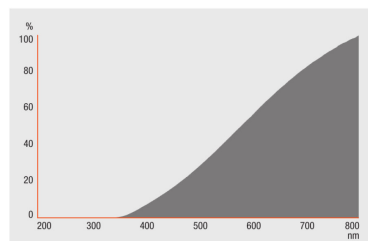
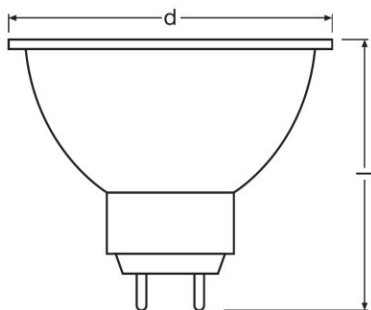
- Average life: 4,000 h
- 100 % dimmable
- Color rendering index R_a : 100
- Diameter: 51 mm

TECHNICAL DATA

Product description	Electrical data				Photometrical data						
	Nominal wattage	Nominal voltage	Rated wattage	Power factor λ	Color temperature	Light color (designation)	Color rendering index Ra	Lumen main.fact.at end of nom.life time	Color temperature	Luminous flux	Color rendering index Ra
DECOSTAR 51 ALU 20 W 12 V 36° GU5.3	20.00 W	12 V	20.00 W	1.00	2800 K	Warm White	100	0.75	2800 K	205 lm	100
DECOSTAR 51 ALU 35 W 12 V 36° GU5.3	35.00 W	12 V	35.00 W	1.00	2900 K	Warm White	100	0.75	2900 K	430 lm	100
DECOSTAR 51 ALU 50 W 12 V 36° GU5.3	50.00 W	12 V	50.00 W	1.00	2950 K	Warm White	100	0.75	2950 K	680 lm	100

Product description	Light technical data			Dimensions & weight	Lifespan			Additional product data		
	Beam angle	Starting time	Warm-up time (60 %)	Diameter	Nominal lamp life time	Rated lamp life time	Number of switching cycles	Base (standard designation)	Mercury content	Mercury-free
DECOSTAR 51 ALU 20 W 12 V 36° GU5.3	36 °	0.0 s	0.00 s	51.0 mm	4000 h	4000 h	100000	GU5.3	0.0 mg	Yes
DECOSTAR 51 ALU 35 W 12 V 36° GU5.3	36 °	0.0 s	0.00 s	51.0 mm	4000 h	4000 h	100000	GU5.3	0.0 mg	Yes
DECOSTAR 51 ALU 50 W 12 V 36° GU5.3	36 °	0.0 s	0.00 s	51.0 mm	4000 h	4000 h	100000	GU5.3	0.0 mg	Yes

Product description	Capabilities		Certificates & standards	Country-specific categorizations
	Burning position	Dimmable	Energy consumption	ILCOS
DECOSTAR 51 ALU 20 W 12 V 36° GU5.3	Any	Yes	22 kWh/1000h	HAGS//UB-20-12-GU5.3-51/36
DECOSTAR 51 ALU 35 W 12 V 36° GU5.3	Any	Yes	38 kWh/1000h	HAGS//UB-35-12-GU5.3-51/36
DECOSTAR 51 ALU 50 W 12 V 36° GU5.3	Any	Yes	54 kWh/1000h	HAGS//UB-50-12-GU5.3-51/36



DECOSTAR 51 ALU 20 W 12 V 36°
 GU5.3, DECOSTAR 51 ALU 35 W 12 V
 36° GU5.3, DECOSTAR 51 ALU 50 W 12
 V 36° GU5.3

DECOSTAR 51 ALU 20 W 12 V 36°
 GU5.3, DECOSTAR 51 ALU 35 W 12 V
 36° GU5.3, DECOSTAR 51 ALU 50 W 12
 V 36° GU5.3

APPLICATION ADVICE

For more detailed application information and graphics please see product datasheet.

LOGISTICAL DATA

Product code	Packaging unit (Pieces/Unit)	Dimensions (length x width x height)	Gross weight	Volume
4050300531649	Shipping carton box 20	238 mm x 122 mm x 123 mm	686.00 g	3.57 dm ³
4050300531656	Shipping carton box 20	140 mm x 124 mm x 210 mm	688.00 g	3.65 dm ³
4050300531663	Shipping carton box 20	172 mm x 122 mm x 174 mm	690.00 g	3.65 dm ³

The mentioned product code describes the smallest quantity unit which can be ordered. One shipping unit can contain one or more single products. When placing an order, for the quantity please enter single or multiples of a shipping unit.

DISCLAIMER

Subject to change without notice. Errors and omission excepted. Always make sure to use the most recent release.