

# PRODUCT FAMILY DATASHEET

## DECOSTAR 51 TITAN

Halogen dichroic reflector lamps with 51 mm diameter



---

### AREAS OF APPLICATION

- General illumination
- Shops
- Restaurants, hotels and similar prestigious applications
- Offices, public buildings

---

### PRODUCT BENEFITS

- Brilliant accent light
- Constant bluish appearance of the light escaping at the back of the reflector
- Dichroic reflector reduces the heat in the light beam by up to 66 %
- Constant luminous intensity and constant color location throughout the lifetime
- Flat clear shield
- Approved for use in open luminaires (to IEC 60598-1)
- UV filter
- Contains no mercury

---

### PRODUCT FEATURES

- Average life: 4,000 h
- 100 % dimmable
- Color rendering index  $R_a$ : 100
- Color temperature: 3,000 K
- Diameter: 51 mm
- Deco cover

TECHNICAL DATA

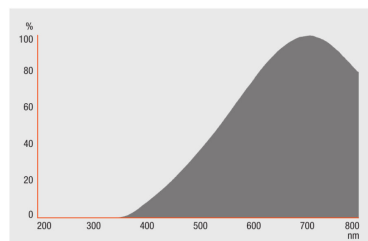
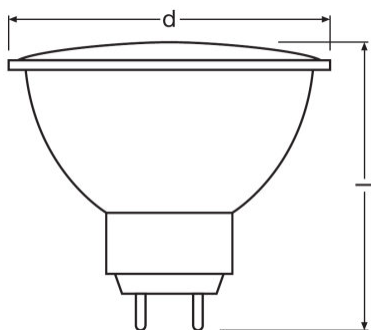
Product description	Electrical data				Photometrical data						
	Nominal wattage	Nominal voltage	Rated wattage	Power factor $\lambda$	Color temperature	Light color (designation)	Color rendering index Ra	Lumen main.fact.at end of nom.life time	Color temperature	Luminous flux	Color rendering index Ra
DECOSTAR 51 TITAN 20 W 12 V 10° GU5.3	20.00 W	12 V	20.00 W	1.00	3000 K	Warm White	100	0.75	3000 K	300 lm	100
DECOSTAR 51 TITAN 20 W 12 V 36° GU5.3	20.00 W	12 V	20.00 W	1.00	3000 K	Warm White	100	0.75	3000 K	300 lm	100
DECOSTAR 51 TITAN 20 W 12 V 60° GU5.3	20.00 W	12 V	20.00 W	1.00	3000 K	Warm White	100	0.75	3000 K	300 lm	100
DECOSTAR 51 TITAN 35 W 12 V 10° GU5.3	35.00 W	12 V	35.00 W	1.00	3000 K	Warm White	100	0.75	3000 K	700 lm	100
DECOSTAR 51 TITAN 35 W 12 V 24° GU5.3	35.00 W	12 V	35.00 W	1.00	3000 K	Warm White	100	0.75	3000 K	700 lm	100
DECOSTAR 51 TITAN 35 W 12 V 36° GU5.3	35.00 W	12 V	35.00 W	1.00	3000 K	Warm White	100	0.75	3000 K	700 lm	100
DECOSTAR 51 TITAN 35 W 12 V 60° GU5.3	35.00 W	12 V	35.00 W	1.00	3000 K	Warm White	100	0.75	3000 K	700 lm	100
DECOSTAR 51 TITAN 50 W 12 V 10° GU5.3	50.00 W	12 V	50.00 W	1.00	3000 K	Warm White	100	0.75	3000 K	900 lm	100
DECOSTAR 51 TITAN 50 W 12 V 24° GU5.3	50.00 W	12 V	50.00 W	1.00	3000 K	Warm White	100	0.75	3000 K	900 lm	100
DECOSTAR 51 TITAN 50 W 12 V 36° GU5.3	50.00 W	12 V	50.00 W	1.00	3000 K	Warm White	100	0.75	3000 K	900 lm	100
DECOSTAR 51 TITAN 50 W 12 V 60° GU5.3	50.00 W	12 V	50.00 W	1.00	3000 K	Warm White	100	0.75	3000 K	900 lm	100

Product description	Light technical data			Dimensions & weight	Lifespan			Additional product data		
	Beam angle	Starting time	Warm-up time (60 %)	Diameter	Nominal lamp life time	Rated lamp life time	Number of switching cycles	Base (standard designation)	Mercury content	Mercury-free
DECOSTAR 51 TITAN 20 W 12 V 10° GU5.3	10 °	0.0 s	0.00 s	51.0 mm	4000 h	4000 h	100000	GU5.3	0.0 mg	Yes

Product description	Light technical data			Dimensions & weight	Lifespan			Additional product data		
	Beam angle	Starting time	Warm-up time (60 %)		Nominal lamp life time	Rated lamp life time	Number of switching cycles	Base (standard designation)	Mercury content	Mercury-free
DECOSTAR 51 TITAN 20 W 12 V 36° GU5.3	36 °	0.0 s	0.00 s	51.0 mm	4000 h	4000 h	100000	GU5.3	0.0 mg	Yes
DECOSTAR 51 TITAN 20 W 12 V 60° GU5.3	60 °	0.0 s	0.00 s	51.0 mm	4000 h	4000 h	100000	GU5.3	0.0 mg	Yes
DECOSTAR 51 TITAN 35 W 12 V 10° GU5.3	10 °	0.0 s	0.00 s	51.0 mm	4000 h	4000 h	100000	GU5.3	0.0 mg	Yes
DECOSTAR 51 TITAN 35 W 12 V 24° GU5.3	24 °	0.0 s	0.00 s	51.0 mm	4000 h	4000 h	100000	GU5.3	0.0 mg	Yes
DECOSTAR 51 TITAN 35 W 12 V 36° GU5.3	36 °	0.0 s	0.00 s	51.0 mm	4000 h	4000 h	100000	GU5.3	0.0 mg	Yes
DECOSTAR 51 TITAN 35 W 12 V 60° GU5.3	60 °	0.0 s	0.00 s	51.0 mm	4000 h	4000 h	100000	GU5.3	0.0 mg	Yes
DECOSTAR 51 TITAN 50 W 12 V 10° GU5.3	10 °	0.0 s	0.00 s	51.0 mm	4000 h	4000 h	100000	GU5.3	0.0 mg	Yes
DECOSTAR 51 TITAN 50 W 12 V 24° GU5.3	24 °	0.0 s	0.00 s	51.0 mm	4000 h	4000 h	100000	GU5.3	0.0 mg	Yes
DECOSTAR 51 TITAN 50 W 12 V 36° GU5.3	36 °	0.0 s	0.00 s	51.0 mm	4000 h	4000 h	100000	GU5.3	0.0 mg	Yes
DECOSTAR 51 TITAN 50 W 12 V 60° GU5.3	60 °	0.0 s	0.00 s	51.0 mm	4000 h	4000 h	100000	GU5.3	0.0 mg	Yes

Product description	Capabilities		Certificates & standards	Country-specific categorizations
	Burning position	Dimmable	Energy consumption	ILCOS
DECOSTAR 51 TITAN 20 W 12 V 10° GU5.3	Any	Yes	22 kWh/1000h	HRGS//UB-20-12-GU5.3-51/10
DECOSTAR 51 TITAN 20 W 12 V 36° GU5.3	Any	Yes	22 kWh/1000h	HRGS//UB-20-12-GU5.3-51/36
DECOSTAR 51 TITAN 20 W 12 V 60° GU5.3	Any	Yes	22 kWh/1000h	HRGS//UB-20-12-GU5.3-51/60

Product description	Capabilities		Certificates & standards	Country-specific categorizations
	Burning position	Dimmable	Energy consumption	ILCOS
DECOSTAR 51 TITAN 35 W 12 V 10° GU5.3	Any	Yes	38 kWh/1000h	HRGS//UB-35-12-GU5.3-51/10
DECOSTAR 51 TITAN 35 W 12 V 24° GU5.3	Any	Yes	38 kWh/1000h	HRGS//UB-35-12-GU5.3-51/24
DECOSTAR 51 TITAN 35 W 12 V 36° GU5.3	Any	Yes	38 kWh/1000h	HRGS//UB-35-12-GU5.3-51/36
DECOSTAR 51 TITAN 35 W 12 V 60° GU5.3	Any	Yes	38 kWh/1000h	HRGS//UB-35-12-GU5.3-51/60
DECOSTAR 51 TITAN 50 W 12 V 10° GU5.3	Any	Yes	54 kWh/1000h	HRGS//UB-50-12-GU5.3-51/10
DECOSTAR 51 TITAN 50 W 12 V 24° GU5.3	Any	Yes	54 kWh/1000h	HRGS//UB-50-12-GU5.3-51/24
DECOSTAR 51 TITAN 50 W 12 V 36° GU5.3	Any	Yes	54 kWh/1000h	HRGS//UB-50-12-GU5.3-51/36
DECOSTAR 51 TITAN 50 W 12 V 60° GU5.3	Any	Yes	54 kWh/1000h	HRGS//UB-50-12-GU5.3-51/60



DECOSTAR 51 TITAN 20 W 12 V 10° GU5.3, DECOSTAR 51 TITAN 20 W 12 V 36° GU5.3, DECOSTAR 51 TITAN 20 W 12 V 60° GU5.3, DECOSTAR 51 TITAN 35 W 12 V 10° GU5.3, DECOSTAR 51 TITAN 35 W 12 V 24° GU5.3, DECOSTAR 51 TITAN 35 W 12 V 36° GU5.3, DECOSTAR 51 TITAN 35 W 12 V 60° GU5.3, DECOSTAR 51 TITAN 50 W 12 V 10° GU5.3, DECOSTAR 51 TITAN 50 W 12 V 24° GU5.3, DECOSTAR 51 TITAN 50 W 12 V 36° GU5.3, DECOSTAR 51 TITAN 50 W 12 V 60° GU5.3

DECOSTAR 51 TITAN 20 W 12 V 10° GU5.3, DECOSTAR 51 TITAN 20 W 12 V 36° GU5.3, DECOSTAR 51 TITAN 20 W 12 V 60° GU5.3, DECOSTAR 51 TITAN 35 W 12 V 10° GU5.3, DECOSTAR 51 TITAN 35 W 12 V 24° GU5.3, DECOSTAR 51 TITAN 35 W 12 V 36° GU5.3, DECOSTAR 51 TITAN 35 W 12 V 60° GU5.3, DECOSTAR 51 TITAN 50 W 12 V 10° GU5.3, DECOSTAR 51 TITAN 50 W 12 V 24° GU5.3, DECOSTAR 51 TITAN 50 W 12 V 36° GU5.3, DECOSTAR 51 TITAN 50 W 12 V 60° GU5.3

### APPLICATION ADVICE

For more detailed application information and graphics please see product datasheet.

### LOGISTICAL DATA

Product code	Packaging unit (Pieces/Unit)	Dimensions (length x width x height)	Gross weight	Volume
4050300531793	Shipping carton box 20	103 mm x 122 mm x 246 mm	836.00 g	3.09 dm <sup>3</sup>
4050300531809	Shipping carton box 20	238 mm x 122 mm x 109 mm	896.00 g	3.16 dm <sup>3</sup>
4050300531816	Shipping carton box 20	238 mm x 122 mm x 106 mm	836.00 g	3.08 dm <sup>3</sup>
4050300531823	Shipping carton box 20	238 mm x 105 mm x 123 mm	836.00 g	3.07 dm <sup>3</sup>
4050300532028	Shipping carton box 20	238 mm x 123 mm x 123 mm	836.00 g	3.60 dm <sup>3</sup>
4050300531830	Shipping carton box 20	142 mm x 123 mm x 210 mm	836.00 g	3.67 dm <sup>3</sup>
4050300531847	Shipping carton box 20	238 mm x 135 mm x 123 mm	836.00 g	3.95 dm <sup>3</sup>
4050300531854	Shipping carton box 20	238 mm x 122 mm x 109 mm	896.00 g	3.16 dm <sup>3</sup>
4050300531915	Shipping carton box 20	175 mm x 127 mm x 176 mm	896.00 g	3.91 dm <sup>3</sup>
4050300531861	Shipping carton box 20	151 mm x 126 mm x 196 mm	836.00 g	3.73 dm <sup>3</sup>
4050300531878	Shipping carton box 20	238 mm x 122 mm x 109 mm	836.00 g	3.16 dm <sup>3</sup>

The mentioned product code describes the smallest quantity unit which can be ordered. One shipping unit can contain one or more single products. When placing an order, for the quantity please enter single or multiples of a shipping unit.

#### DISCLAIMER

Subject to change without notice. Errors and omission excepted. Always make sure to use the most recent release.