

PRODUCT FAMILY DATASHEET

DECOSTAR 51 SUPERSTAR 4000

Halogen dichroic reflector lamps with 51 mm diameter



AREAS OF APPLICATION

- General illumination
- Kitchen lighting
- Dining table lighting
- Mirror lighting
- Workplace lighting
- Shops
- Restaurants, hotels and similar prestigious applications

PRODUCT BENEFITS

- Up to 30 % energy savings through IRC technology (comp. with conv. halogen lamps)
- Brilliant accent lighting
- Significantly lower CO₂ emissions compared to standard version
- Constant luminous intensity and constant color location throughout the lifetime
- Approved for use in open luminaires (to IEC 60598-1)
- UV filter

PRODUCT FEATURES

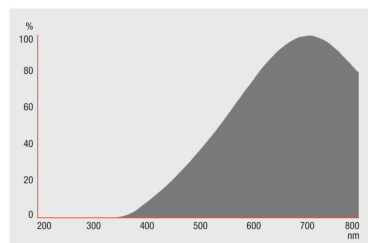
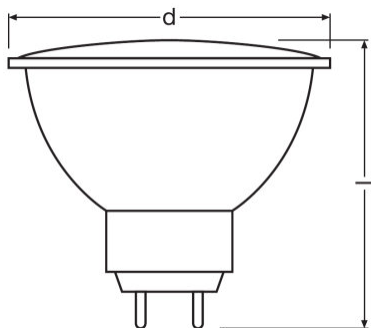
- Average life: 4,000 h
- 100 % dimmable
- Color rendering index R_a: 100
- Base: GU5.3
- Deco cover

TECHNICAL DATA

Product description	Electrical data				Photometrical data						
	Nominal wattage	Nominal voltage	Rated wattage	Power factor λ	Color temperature	Light color (designation)	Color rendering index Ra	Lumen main.fact.at end of nom.life time	Color temperature	Luminous flux	Color rendering index Ra
DECOSTAR 51 SST 4000 14 W 12 V 36° GU5.3	14.00 W	12 V	14.00 W	1.00	2800 K	Warm White	100	0.75	2800 K	180 lm	100
DECOSTAR 51 SST 4000 25 W 12 V 36° GU5.3	25.00 W	12 V	25.00 W	1.00	2900 K	Warm White	100	0.75	2900 K	370 lm	100
DECOSTAR 51 SST 4000 35 W 12 V 36° GU5.3	35.00 W	12 V	35.00 W	1.00	3000 K	Warm White	100	0.75	3000 K	550 lm	100

Product description	Light technical data			Dimensions & weight	Lifespan			Additional product data		
	Beam angle	Starting time	Warm-up time (60 %)	Diameter	Nominal lamp life time	Rated lamp life time	Number of switching cycles	Base (standard designation)	Mercury content	Mercury-free
DECOSTAR 51 SST 4000 14 W 12 V 36° GU5.3	36 °	0.0 s	0.00 s	50.7 mm	4000 h	4000 h	100000	GU5.3	0.0 mg	Yes
DECOSTAR 51 SST 4000 25 W 12 V 36° GU5.3	36 °	0.0 s	0.00 s	50.7 mm	4000 h	4000 h	100000	GU5.3	0.0 mg	Yes
DECOSTAR 51 SST 4000 35 W 12 V 36° GU5.3	36 °	0.0 s	0.00 s	50.7 mm	4000 h	4000 h	100000	GU5.3	0.0 mg	Yes

Product description	Capabilities		Certificates & standards	Country-specific categorizations
	Burning position	Dimmable	Energy consumption	ILCOS
DECOSTAR 51 SST 4000 14 W 12 V 36° GU5.3	Any	Yes	16 kWh/1000h	HRGS//UB-14-12-GU5.3-51/36
DECOSTAR 51 SST 4000 25 W 12 V 36° GU5.3	Any	Yes	27 kWh/1000h	HRGS//UBIB-25-12-GU5.3-51/36
DECOSTAR 51 SST 4000 35 W 12 V 36° GU5.3	Any	Yes	38 kWh/1000h	HRGS//UB-35-12-GU5.3-51/36



DECOSTAR 51 SST 4000 14 W 12 V 36° GU5.3, DECOSTAR 51 SST 4000 25 W 12 V 36° GU5.3, DECOSTAR 51 SST 4000 35 W 12 V 36° GU5.3

DECOSTAR 51 SST 4000 14 W 12 V 36° GU5.3, DECOSTAR 51 SST 4000 25 W 12 V 36° GU5.3, DECOSTAR 51 SST 4000 35 W 12 V 36° GU5.3

APPLICATION ADVICE

For more detailed application information and graphics please see product datasheet.

LOGISTICAL DATA

Product code	Packaging unit (Pieces/Unit)	Dimensions (length x width x height)	Gross weight	Volume
4008321931931	Shipping carton box 10	290 mm x 134 mm x 254 mm	625.46 g	9.87 dm ³
4058075008373	Shipping carton box 20	290 mm x 254 mm x 134 mm	914.00 g	9.87 dm ³
4008321202741	Shipping carton box 10	290 mm x 134 mm x 254 mm	612.24 g	9.87 dm ³
4058075008397	Shipping carton box 20	290 mm x 254 mm x 134 mm	919.00 g	9.87 dm ³

Product code	Packaging unit (Pieces/Unit)	Dimensions (length x width x height)	Gross weight	Volume
4008321202727	Shipping carton box 10	290 mm x 134 mm x 254 mm	596.10 g	9.87 dm ³
4058075008410	Shipping carton box 20	290 mm x 254 mm x 134 mm	922.00 g	9.87 dm ³

The mentioned product code describes the smallest quantity unit which can be ordered. One shipping unit can contain one or more single products. When placing an order, for the quantity please enter single or multiples of a shipping unit.

DISCLAIMER

Subject to change without notice. Errors and omission excepted. Always make sure to use the most recent release.