

# PRODUCT FAMILY DATASHEET

## HALOPAR 38

Halogen lamps with parabolic reflector PAR38, with screw base



---

### AREAS OF APPLICATION

- General illumination
- Object lighting
- Accent lighting

---

### PRODUCT BENEFITS

- With whole glass reflector for brilliant lighting effects
- Instant 100 % light, no warm-up time
- Approved for use in open luminaires (to IEC 60598-1)
- Suitable for outdoor applications in approved luminaires
- Contains no mercury
- UV filter

---

### PRODUCT FEATURES

- Average life: 2,000 h
- 100 % dimmable
- Perfect color rendering ( $R_a : 100$ )
- Base: E27

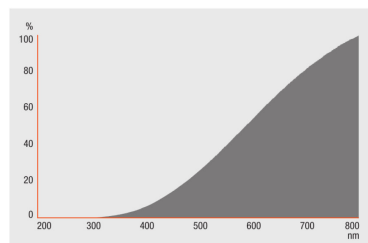
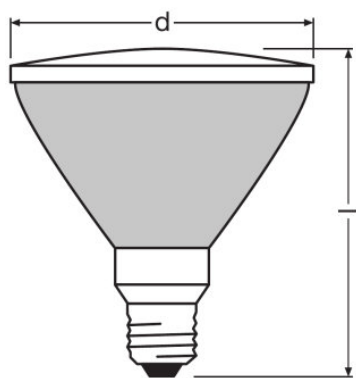
TECHNICAL DATA

| Product description                          | Electrical data |                 |               |                | Photometrical data               |                   |                           |                          |   |                   |               |
|--|-----------------|-----------------|---------------|----------------|----------------------------------|-------------------|---------------------------|--------------------------|---|-------------------|---------------|
|  | Nominal wattage | Nominal voltage | Rated wattage | Power factor λ | Nominal useful luminous flux 90° | Color temperature | Light color (designation) | Color rendering index Ra | Lumen main.fact.at end of nom.life time | Color temperature | Luminous flux |
| HALOPAR 38 50 W 240 V 30° E27 <sup>1)</sup>  | 50.00 W         | 220...240 V     | 50.00 W       | 1.00           | 400 lm                           | 2700 K            | Warm White                | 100                      | 0.75                                    | 2700 K            | 400 lm        |
| HALOPAR 38 75 W 240 V 30° E27 <sup>1)</sup>  | 75.00 W         | 220...240 V     | 75.00 W       |                |                                  | 2800 K            | Warm White                | 100                      |   | 2800 K            | 580 lm        |
| HALOPAR 38 100 W 240 V 30° E27 <sup>1)</sup> | 100.00 W        | 220...240 V     | 100.00 W      |                |                                  | 2900 K            | Warm White                | 100                      |   | 2900 K            |               |

| Product description                          | Color rendering index Ra | Light technical data |               |                     | Dimensions & weight | Lifespan |                        |                      | Additional product data    |                             |                 |
|--|--------------------------|----------------------|---------------|---------------------|---------------------|----------|------------------------|----------------------|----------------------------|-----------------------------|-----------------|
|  |                          | Beam angle           | Starting time | Warm-up time (60 %) |                     | Diameter | Nominal lamp life time | Rated lamp life time | Number of switching cycles | Base (standard designation) | Mercury content |
| HALOPAR 38 50 W 240 V 30° E27 <sup>1)</sup>  | 100                      | 30 °                 | 0.0 s         | 0.00 s              | 123.0 mm            | 2000 h   | 2000 h                 | 50000                | E27                        | 0.0 mg                      | Yes             |
| HALOPAR 38 75 W 240 V 30° E27 <sup>1)</sup>  | 100                      | 30 °                 | 0.0 s         |                     | 123.0 mm            | 2000 h   | 2000 h                 |                      | E27                        |                             | Yes             |
| HALOPAR 38 100 W 240 V 30° E27 <sup>1)</sup> | 100                      | 30 °                 | 0.0 s         |                     | 123.0 mm            | 2000 h   | 2000 h                 |                      | E27                        |                             | Yes             |

| Product description                          | Capabilities     |          | Certificates & standards | Country-specific categorizations |
|--|------------------|----------|--------------------------|----------------------------------|
|  | Burning position | Dimmable | Energy consumption       | ILCOS                            |
| HALOPAR 38 50 W 240 V 30° E27 <sup>1)</sup>  | Any              | Yes      | 50 kWh/1000h             | HAGS/UB-50-240-E27-123/30        |
| HALOPAR 38 75 W 240 V 30° E27 <sup>1)</sup>  | Any              | Yes      |                          | HAGS/UB-75-240-E27-123/30        |
| HALOPAR 38 100 W 240 V 30° E27 <sup>1)</sup> | Any              | Yes      |                          | HAGS/UB-100-240-E27-123/30       |

<sup>1)</sup> Banned from 1.9.2016 as per EU phase-out plan



HALOPAR 38 50 W 240 V 30° E27,  
 HALOPAR 38 75 W 240 V 30° E27,  
 HALOPAR 38 100 W 240 V 30° E27

HALOPAR 38 50 W 240 V 30° E27,  
 HALOPAR 38 75 W 240 V 30° E27,  
 HALOPAR 38 100 W 240 V 30° E27

### APPLICATION ADVICE

For more detailed application information and graphics please see product datasheet.

### LOGISTICAL DATA

| Product code  | Packaging unit (Pieces/Unit) | Dimensions (length x width x height) | Gross weight | Volume                |
|---------------|------------------------------|--------------------------------------|--------------|-----------------------|
| 4008321380371 | Shipping carton box<br>12    | 477 mm x 172 mm x 481 mm             | 5482.00 g    | 39.46 dm <sup>3</sup> |
| 4008321380357 | Shipping carton box<br>12    | 477 mm x 172 mm x 362 mm             | 5482.00 g    | 29.70 dm <sup>3</sup> |
| 4008321372079 | Shipping carton box<br>12    | 477 mm x 172 mm x 362 mm             | 5482.00 g    | 29.70 dm <sup>3</sup> |

The mentioned product code describes the smallest quantity unit which can be ordered. One shipping unit can contain one or more single products. When placing an order, for the quantity please enter single or multiples of a shipping unit.

---

**DISCLAIMER**

Subject to change without notice. Errors and omission excepted. Always make sure to use the most recent release.