

PRODUCT FAMILY DATASHEET

HALOPAR 16 GU10/GZ10 STAR

Halogen lamps with parabolic reflector PAR16, with GU10/GZ10 base



AREAS OF APPLICATION

- Shops
- Restaurants, hotels and similar prestigious applications

PRODUCT BENEFITS

- Brilliant accent light
- With whole glass reflector for brilliant lighting effects
- Approved for use in open luminaires (to IEC 60598-1)
- No transformer required
- UV filter
- Robust filament design thanks to innovative, unique bulb pinch technology

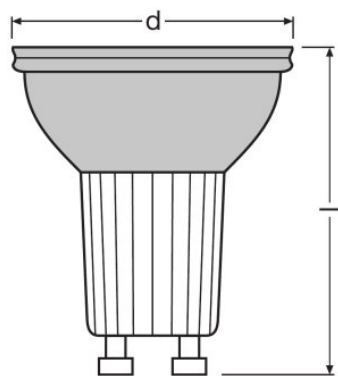
PRODUCT FEATURES

- Average life: 2,000 h
- 100 % dimmable
- Color rendering index R_a : 100
- Base: GU10, GZ10

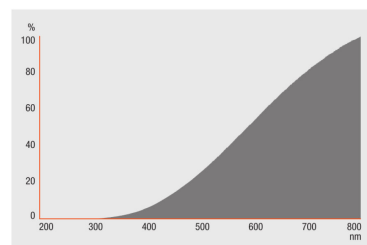
TECHNICAL DATA

Product description	Electrical data			Photometrical data					Light technical data		Dimensions & weight	Lifespan
	Nominal wattage	Nominal voltage	Rated wattage	Color temperature	Light color (designation)	Color rendering index Ra	Color temperature	Color rendering index Ra	Beam angle	Starting time	Diameter	Nominal lamp life time
HALOPAR 16 ST 50 W 230 V GU10	50.00 W	230 V	50.00 W	2800 K	Warm White	100	2800 K	100	30 °	0.0 s	50.5 mm	1500 h

Product description	Rated lamp life time	Additional product data		Capabilities		Country-specific categorizations
		Base (standard designation)	Mercury-free	Burning position	Dimmable	ILCOS
HALOPAR 16 ST 50 W 230 V GU10	1500 h	GU10	Yes	Any	Yes	HAGS/UB-50-230-GU10-51/30



HALOPAR 16 ST 50 W 230 V GU10



HALOPAR 16 ST 50 W 230 V GU10

APPLICATION ADVICE

For more detailed application information and graphics please see product datasheet.

LOGISTICAL DATA

Product code	Packaging unit (Pieces/Unit)	Dimensions (length x width x height)	Gross weight	Volume
4008321280213	Shipping carton box 10	258 mm x 113 mm x 77 mm	585.00 g	2.24 dm ³

The mentioned product code describes the smallest quantity unit which can be ordered. One shipping unit can contain one or more single products. When placing an order, for the quantity please enter single or multiples of a shipping unit.

DISCLAIMER

Subject to change without notice. Errors and omission excepted. Always make sure to use the most recent release.