

PRODUCT FAMILY DATASHEET

HALOPAR PRO

Halogen lamps with parabolic reflector



AREAS OF APPLICATION

- General illumination
- Kitchen lighting
- Dining table lighting
- Mirror lighting
- Object lighting
- Shops
- Restaurants, hotels and similar prestigious applications

PRODUCT BENEFITS

- Brilliant accent lighting
- With whole glass reflector for brilliant lighting effects
- Approved for use in open luminaires (to IEC 60598-1)
- Robust filament design thanks to innovative, unique bulb pinch technology
- UV filter
- Drastically reduced thermal load in luminaire thanks to aluminum-coated reflector
- Complies with IEC 60432-2 thanks to integrated fuse function
- Contains no mercury

PRODUCT FEATURES

- Average life: 2,000 h
- Dimmable
- Color rendering index R_a : 100
- Base: GU10

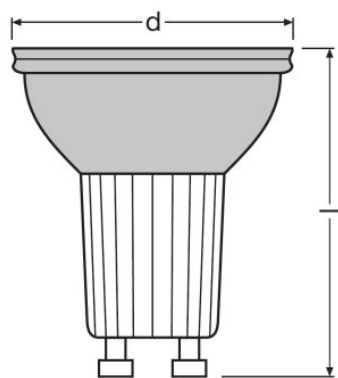
TECHNICAL DATA

Product description	Electrical data				Photometrical data						
	Nominal wattage	Nominal voltage	Rated wattage	Power factor λ	Nominal useful luminous flux 90°	Color temperature	Light color (designation)	Color rendering index Ra	Lumen main.fact.at end of nom.life time	Color temperature	Luminous flux
HALOPAR PRO 40 W 240 V 30° GU10 1)	42.00 W	240 V	42.00 W	1.00	300 lm	2800 K	Warm White	100	0.75	2800 K	300 lm

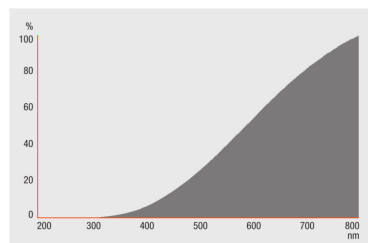
Product description	Color rendering index Ra	Light technical data			Dimensions & weight	Lifespan			Additional product data		
		Beam angle	Starting time	Warm-up time (60 %)	Diameter	Nominal lamp life time	Rated lamp life time	Number of switching cycles	Base (standard designation)	Mercury content	Mercury-free
HALOPAR PRO 40 W 240 V 30° GU10 1)	100	30 °	0.0 s	0.00 s	51.0 mm	2000 h	2000 h	50000	GU10	0.0 mg	Yes

Product description	Capabilities		Certificates & standards	Country-specific categorizations
	Burning position	Dimmable	Energy consumption	ILCOS
HALOPAR PRO 40 W 240 V 30° GU10 1)	Any	Yes	42 kWh/1000h	HAGS/UB-40-240-GU10-51/30

1) Not suitable for outdoor use or damp conditions/Banned from 1.9.2016 as per EU phase-out plan



HALOPAR PRO 40 W 240 V 30° GU10



HALOPAR PRO 40 W 240 V 30° GU10

APPLICATION ADVICE

For more detailed application information and graphics please see product datasheet.

LOGISTICAL DATA

Product code	Packaging unit (Pieces/Unit)	Dimensions (length x width x height)	Gross weight	Volume
4008321226396	Shipping carton box 20	257 mm x 131 mm x 111 mm	783.33 g	3.74 dm ³

The mentioned product code describes the smallest quantity unit which can be ordered. One shipping unit can contain one or more single products. When placing an order, for the quantity please enter single or multiples of a shipping unit.

DISCLAIMER

Subject to change without notice. Errors and omission excepted. Always make sure to use the most recent release.