

PRODUCT FAMILY DATASHEET

LED SUPERSTAR MR11 12 V

Low-voltage LED reflector lamps MR11 with retrofit pin base



AREAS OF APPLICATION

- Display cabinets and shop windows
- Museums, art galleries
- Hospitality
- Residential interiors
- As a downlight for marking walkways, doors, stairs, etc.
- Outdoor applications only in suitable luminaires

PRODUCT BENEFITS

- Low energy consumption
- Easy relamping thanks to compact design and GU4 base
- Instant 100 % light, no warm-up time
- Very good color rendering ($R_a \geq 90$)

PRODUCT FEATURES

- Professional LED alternative to halogen MR11 lamps
- Dimmable (with many common dimmers, see also www.ledvance.com/dim)
- Mercury-free lamps



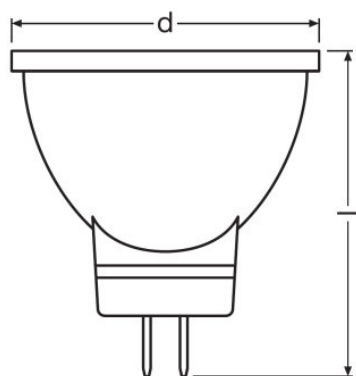
TECHNICAL DATA

Product description	Electrical data					Photometrical data			
	Nominal wattage	Nominal voltage	Claimed equiv. conventional lamp power	Max. lamp no. on circuit break. 10 A (B)	Max. lamp no. on circuit break. 16 A (B)	Nominal luminous flux	Rated luminous flux	Lumen main.fact.at end of nom.life time	Light color (designation)
SST MR11 20 36° 2.6 W/2700K GU4 ¹⁾	2.60 W	12 V	20 W			184 lm	184 lm	0.70	Warm White
SST MR11 20 36° 3.2 W/2700K GU4 ¹⁾	3.20 W	12 V	20 W	30	48	184 lm	184 lm	0.70	Warm White
SST MR11 12 V 35 36° 4.5 W/2700K GU4 ¹⁾	4.50 W	12 V	35 W	30	48	345 lm	345 lm	0.70	Warm White
SST MR11 12 V 35 36° 4 W/2700K GU4 DIM ¹⁾	4.00 W	12 V	35 W	33	53	345 lm	345 lm	0.70	Warm White
SST MR11 12 V 35 36° 4.5 W/2700K GU4 DIM ¹⁾	4.50 W	12 V	35 W	30	48	345 lm	345 lm	0.70	Warm White

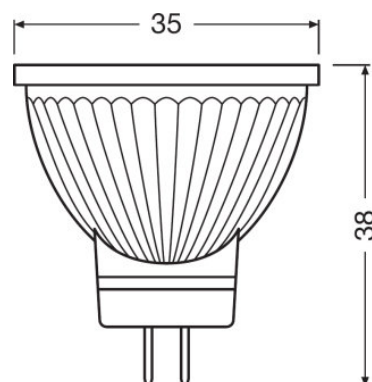
Product description	Color temperature	Luminous flux	Color rendering index Ra	Light technical data	Dimensions & weight		Temperatures & operating conditions	Lifespan	
				Warm-up time (60 %)	Overall length	Diameter	Ambient temperature range	Nominal lamp life time	Number of switching cycles
SST MR11 20 36° 2.6 W/2700K GU4 ¹⁾	2700 K	184 lm	≥80	< 0.50 s	38.0 mm	35.0 mm	-20...+40 °C	25000 h	100000
SST MR11 20 36° 3.2 W/2700K GU4 ¹⁾	2700 K	184 lm	≥90	< 0.50 s	38.0 mm	35.0 mm	-20...+40 °C	25000 h	100000
SST MR11 12 V 35 36° 4.5 W/2700K GU4 ¹⁾	2700 K	345 lm	90	< 0.50 s	38.0 mm	35.0 mm	-20...+40 °C	25000 h	100000
SST MR11 12 V 35 36° 4 W/2700K GU4 DIM ¹⁾	2700 K	345 lm	≥80	< 0.50 s	38.0 mm	35.0 mm		25000 h	100000
SST MR11 12 V 35 36° 4.5 W/2700K GU4 DIM ¹⁾	2700 K	345 lm	≥80	< 0.50 s	38.0 mm	35.0 mm		25000 h	100000

Product description	Additional product data		Capabilities	Certificates & standards		Country-specific categorizations
	Base (standard designation)	Mercury-free	Dimmable	Energy efficiency class	Energy consumption	ILCOS
SST MR11 20 36° 2.6 W/2700K GU4 ¹⁾	GU4	Yes	Yes	A+	3 kWh/1000h	DRR-3,3/827-12-GU4-35/36
SST MR11 20 36° 3.2 W/2700K GU4 ¹⁾	GU4	Yes	Yes	A+	4 kWh/1000h	DRR-3,3/827-12-GU4-35/36
SST MR11 12 V 35 36° 4.5 W/2700K GU4 ¹⁾	GU4	Yes	Yes	A+	5 kWh/1000h	
SST MR11 12 V 35 36° 4 W/2700K GU4 DIM ¹⁾	GU4	Yes	Yes	A+	5 kWh/1000h	
SST MR11 12 V 35 36° 4.5 W/2700K GU4 DIM ¹⁾	GU4	Yes	Yes	A+	5 kWh/1000h	

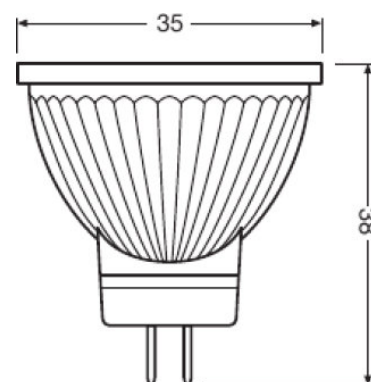
¹⁾ All technical parameters apply to the entire lamp/Due to the complex production process for light-emitting diodes, the typical values shown for the technical LED parameters are purely statistical values that do not necessarily match the actual technical parameters of each individual product, which can vary from the typical value



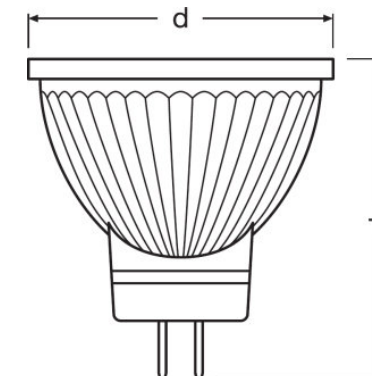
SST MR11 20 36° 2.6 W/2700K GU4,
SST MR11 12 V 35 36° 4 W/2700K GU4
DIM



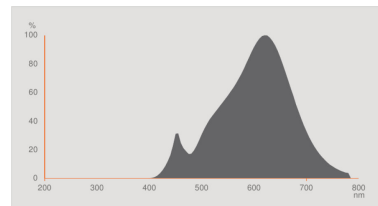
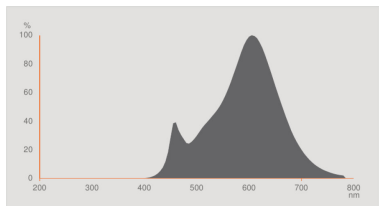
SST MR11 20 36° 3.2 W/2700K GU4



SST MR11 12 V 35 36° 4.5 W/2700K
GU4



SST MR11 12 V 35 36° 4.5 W/2700K
GU4 DIM



SST MR11 20 36° 2.6 W/2700K GU4,
SST MR11 20 36° 3.2 W/2700K GU4

SST MR11 12 V 35 36° 4 W/2700K GU4
DIM, SST MR11 12 V 35 36° 4.5
W/2700K GU4 DIM

APPLICATION ADVICE

For more detailed application information and graphics please see product datasheet.

LOGISTICAL DATA

Product code	Packaging unit (Pieces/Unit)	Dimensions (length x width x height)	Gross weight	Volume
4058075813489	Shipping carton box 6	261 mm x 153 mm x 136 mm	296.00 g	5.43 dm ³
4058075264038	Shipping carton box 6	261 mm x 153 mm x 136 mm	294.00 g	5.43 dm ³
4058075433212	Shipping carton box 6	261 mm x 153 mm x 136 mm	330.00 g	5.43 dm ³
4058075433236	Shipping carton box 10	189 mm x 109 mm x 104 mm	354.00 g	2.14 dm ³

Product code	Packaging unit (Pieces/Unit)	Dimensions (length x width x height)	Gross weight	Volume
4058075105225	Shipping carton box 6	261 mm x 153 mm x 136 mm	372.00 g	5.43 dm ³
4058075264052	Shipping carton box 6	261 mm x 153 mm x 136 mm	306.00 g	5.43 dm ³

The mentioned product code describes the smallest quantity unit which can be ordered. One shipping unit can contain one or more single products. When placing an order, for the quantity please enter single or multiples of a shipping unit.

REFERENCES / LINKS

For dimming conformity see

▶ www.ledvance.com/dim

For further products and actual information concerning LED lamps see

▶ www.ledvance.com/ledlamps

— For Guarantee see

▶ www.ledvance.com/guarantee

Further information see

▶ www.ledvance.com/low-voltage-ledlamps

DISCLAIMER

Subject to change without notice. Errors and omission excepted. Always make sure to use the most recent release.