

PRODUCT FAMILY DATASHEET

LED STAR PAR16

LED reflector lamps PAR16 with retrofit pin base



AREAS OF APPLICATION

- Shops
- Hospitality
- Museums, art galleries
- Residential interiors
- As a downlight for marking walkways, doors, stairs, etc.
- Spotlighting for accents
- Spotlighting heat-sensitive objects such as food, plants, etc.
- Outdoor applications only in suitable luminaires

PRODUCT BENEFITS

- Low energy consumption
- Easy replacement of halogen lamps due to compact full glass design and single optic
- Instant 100 % light, no warm-up time
- Ideal for economical spotlighting

PRODUCT FEATURES

- LED alternative to conventional high voltage lamps
- Mercury-free lamps



TECHNICAL DATA

| Product description | Electrical data | | | | | Photometrical data | | | |
|--|-----------------|-----------------|--|--|--|-----------------------|---------------------|---|---------------------------|
| | Nominal wattage | Nominal voltage | Claimed equiv. conventional lamp power | Max. lamp no. on circuit break. 10 A (B) | Max. lamp no. on circuit break. 16 A (B) | Nominal luminous flux | Rated luminous flux | Lumen main.fact.at end of nom.life time | Light color (designation) |
| ST PAR 16 35 36° 2.6 W/2700K GU10 ¹⁾ | 2.60 W | 220...240 V | 35 W | 526 | 842 | 230 lm | 230 lm | 0.70 | Warm White |
| ST PAR 16 35 36° 2.6 W/2700K GU10 ¹⁾ | 2.60 W | 220...240 V | 35 W | 526 | 842 | 230 lm | 230 lm | 0.70 | Warm White |
| ST PAR 16 35 36° 3 W/2700K GU10 ¹⁾ | 3.00 W | 220...240 V | 35 W | 526 | 842 | 230 lm | 230 lm | 0.70 | Warm White |
| ST PAR 16 35 36° 2.6 W/2700K GU10 ¹⁾ | 2.60 W | 220...240 V | 35 W | 526 | 842 | 230 lm | 230 lm | 0.70 | Warm White |
| ST PAR 16 35 36° 2.6 W/4000K GU10 ¹⁾ | 2.60 W | 220...240 V | 35 W | 526 | 842 | 230 lm | 230 lm | 0.70 | Cool White |
| ST PAR 16 35 36° 2.6 W/2700K GU10 ¹⁾ | 2.60 W | 220...240 V | 35 W | 526 | 842 | 230 lm | 230 lm | 0.70 | Warm White |
| ST PAR 16 50 36° 4.3 W/2700K GU10 ¹⁾ | 4.30 W | 220...240 V | 50 W | 303 | 484 | 350 lm | 350 lm | 0.70 | Warm White |
| ST PAR 16 50 36° 4.5 W/4000K GU10 ¹⁾ | 4.50 W | 220...240 V | 50 W | 303 | 484 | 350 lm | 350 lm | 0.70 | Cool White |
| ST PAR 16 50 36° 4.3 W/2700K GU10 ¹⁾ | 4.30 W | 220...240 V | 50 W | 303 | 484 | 350 lm | 350 lm | 0.70 | Warm White |
| ST PAR 16 50 36° 4.3 W/4000K GU10 ¹⁾ | 4.30 W | 220...240 V | 50 W | 303 | 484 | 350 lm | 350 lm | 0.70 | Cool White |
| ST PAR 16 50 36° 4.3 W/2700K GU10 ¹⁾ | 4.30 W | 220...240 V | 50 W | 303 | 484 | 350 lm | 350 lm | 0.70 | Warm White |
| ST PAR 16 50 36° 4.5 W/2700K E14 ¹⁾ | 4.50 W | 220...240 V | 50 W | 20 | 32 | 350 lm | 350 lm | 0.70 | Warm White |
| ST PAR 16 50 36° 4.3 W/2700K GU10 ¹⁾ | 4.30 W | 220...240 V | 50 W | 303 | 484 | 350 lm | 350 lm | 0.70 | Warm White |
| ST PAR 16 50 120° 4.3 W/2700K GU10 ¹⁾ | 4.30 W | 220...240 V | 50 W | 303 | 484 | 350 lm | 350 lm | 0.70 | Warm White |
| ST PAR 16 50 120° 4.3 W/4000K GU10 ¹⁾ | 4.30 W | 220...240 V | 50 W | 303 | 484 | 350 lm | 350 lm | 0.70 | Cool White |
| ST PAR 16 80 36° 6.9 W/2700K GU10 ¹⁾ | 6.90 W | 220...240 V | 80 W | 59 | 97 | 575 lm | 575 lm | 0.70 | Warm White |
| ST PAR 16 80 36° 6.9 W/4000K GU10 ¹⁾ | 6.90 W | 220...240 V | 80 W | 59 | 97 | 575 lm | 575 lm | 0.70 | Cool White |

| Product description | Electrical data | | | | | Photometrical data | | | |
|--|-----------------|-----------------|--|--|--|-----------------------|---------------------|---|---------------------------|
| | Nominal wattage | Nominal voltage | Claimed equiv. conventional lamp power | Max. lamp no. on circuit break. 10 A (B) | Max. lamp no. on circuit break. 16 A (B) | Nominal luminous flux | Rated luminous flux | Lumen main.fact.at end of nom.life time | Light color (designation) |
| ST PAR 16 80 120° 6.9 W/2700K GU10 ¹⁾ | 6.90 W | 220...240 V | 80 W | 59 | 97 | 575 lm | 575 lm | 0.70 | Warm White |
| ST PAR 16 80 120° 6.9 W/4000K GU10 ¹⁾ | 6.90 W | 220...240 V | 80 W | 59 | 97 | 575 lm | 575 lm | 0.70 | Cool White |

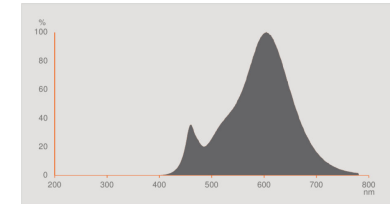
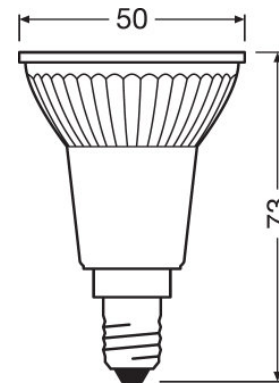
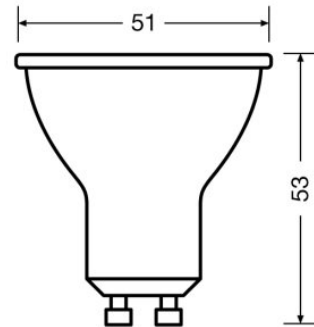
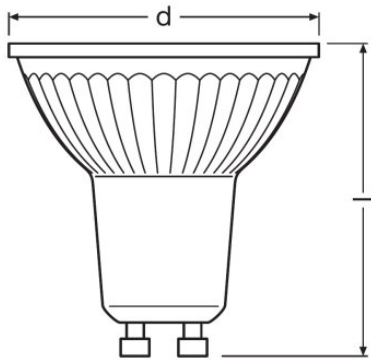
| Product description | Color temperature | Luminous flux | Color rendering index Ra | Light technical data | Dimensions & weight | | Temperatures & operating conditions | Lifespan | |
|---|-------------------|---------------|--------------------------|----------------------|---------------------|----------|-------------------------------------|------------------------|----------------------------|
| | | | | Warm-up time (60 %) | Overall length | Diameter | Ambient temperature range | Nominal lamp life time | Number of switching cycles |
| ST PAR 16 35 36° 2.6 W/2700K GU10 ¹⁾ | 2700 K | 230 lm | ≥80 | < 0.50 s | 55.0 mm | 51.0 mm | -20...+40 °C | 15000 h | 100000 |
| ST PAR 16 35 36° 2.6 W/2700K GU10 ¹⁾ | 2700 K | 230 lm | ≥80 | < 0.50 s | 55.0 mm | 51.0 mm | -20...+40 °C | 15000 h | 100000 |
| ST PAR 16 35 36° 3 W/2700K GU10 ¹⁾ | 2700 K | 230 lm | ≥80 | < 0.50 s | 55.0 mm | 51.0 mm | -20...+40 °C | 15000 h | 100000 |
| ST PAR 16 35 36° 2.6 W/2700K GU10 ¹⁾ | 2700 K | 230 lm | ≥80 | < 0.50 s | 55.0 mm | 51.0 mm | -20...+40 °C | 15000 h | 100000 |
| ST PAR 16 35 36° 2.6 W/4000K GU10 ¹⁾ | 4000 K | 230 lm | ≥80 | < 0.50 s | 55.0 mm | 51.0 mm | -20...+40 °C | 15000 h | 100000 |
| ST PAR 16 35 36° 2.6 W/2700K GU10 ¹⁾ | 2700 K | 230 lm | ≥80 | < 0.50 s | 55.0 mm | 51.0 mm | -20...+40 °C | 15000 h | 100000 |
| ST PAR 16 50 36° 4.3 W/2700K GU10 ¹⁾ | 2700 K | 350 lm | ≥80 | < 0.50 s | 55.0 mm | 51.0 mm | -20...+40 °C | 15000 h | 100000 |
| ST PAR 16 50 36° 4.5 W/4000K GU10 ¹⁾ | 4000 K | 350 lm | ≥80 | < 0.50 s | 55.0 mm | 51.0 mm | -20...+40 °C | 15000 h | 100000 |
| ST PAR 16 50 36° 4.3 W/2700K GU10 ¹⁾ | 2700 K | 350 lm | ≥80 | < 0.50 s | 55.0 mm | 51.0 mm | -20...+40 °C | 15000 h | 100000 |
| ST PAR 16 50 36° 4.3 W/4000K GU10 ¹⁾ | 4000 K | 350 lm | ≥80 | < 0.50 s | 55.0 mm | 51.0 mm | -20...+40 °C | 15000 h | 100000 |
| ST PAR 16 50 36° 4.3 W/2700K GU10 ¹⁾ | 2700 K | 350 lm | ≥80 | < 0.50 s | 55.0 mm | 51.0 mm | -20...+40 °C | 15000 h | 100000 |
| ST PAR 16 50 36° 4.5 W/2700K E14 ¹⁾ | 2700 K | 350 lm | ≥80 | < 0.50 s | 73.0 mm | 50.0 mm | -20...+40 °C | 10000 h | 100000 |

| Product description | Color temperature | Luminous flux | Color rendering index Ra | Light technical data | Dimensions & weight | | Temperatures & operating conditions | Lifespan | |
|--|-------------------|---------------|--------------------------|----------------------|---------------------|----------|-------------------------------------|------------------------|----------------------------|
| | | | | Warm-up time (60 %) | Overall length | Diameter | Ambient temperature range | Nominal lamp life time | Number of switching cycles |
| ST PAR 16 50 36° 4.3 W/2700K GU10 ¹⁾ | 2700 K | 350 lm | ≥80 | < 0.50 s | 55.0 mm | 51.0 mm | -20...+40 °C | 15000 h | 100000 |
| ST PAR 16 50 120° 4.3 W/2700K GU10 ¹⁾ | 2700 K | 350 lm | ≥80 | < 0.50 s | 55.0 mm | 51.0 mm | -20...+40 °C | 15000 h | 100000 |
| ST PAR 16 50 120° 4.3 W/4000K GU10 ¹⁾ | 4000 K | 350 lm | ≥80 | < 0.50 s | 55.0 mm | 51.0 mm | -20...+40 °C | 15000 h | 100000 |
| ST PAR 16 80 36° 6.9 W/2700K GU10 ¹⁾ | 2700 K | 575 lm | ≥80 | < 0.50 s | 55.0 mm | 51.0 mm | -20...+40 °C | 15000 h | 100000 |
| ST PAR 16 80 36° 6.9 W/4000K GU10 ¹⁾ | 4000 K | 575 lm | ≥80 | < 0.50 s | 55.0 mm | 51.0 mm | -20...+40 °C | 15000 h | 100000 |
| ST PAR 16 80 120° 6.9 W/2700K GU10 ¹⁾ | 2700 K | 575 lm | ≥80 | < 0.50 s | 55.0 mm | 51.0 mm | -20...+40 °C | 15000 h | 100000 |
| ST PAR 16 80 120° 6.9 W/4000K GU10 ¹⁾ | 4000 K | 575 lm | ≥80 | < 0.50 s | 55.0 mm | 51.0 mm | -20...+40 °C | 15000 h | 100000 |

| Product description | Additional product data | | Capabilities | Certificates & standards | | Country-specific categorizations |
|---|-----------------------------|--------------|--------------|--------------------------|--------------------|----------------------------------|
| | Base (standard designation) | Mercury-free | Dimmable | Energy efficiency class | Energy consumption | ILCOS |
| ST PAR 16 35 36° 2.6 W/2700K GU10 ¹⁾ | GU10 | Yes | No | A++ | 3 kWh/1000h | DRPAR-2,6/840-220-240-GU10-50/36 |
| ST PAR 16 35 36° 2.6 W/2700K GU10 ¹⁾ | GU10 | Yes | No | A++ | 3 kWh/1000h | |
| ST PAR 16 35 36° 3 W/2700K GU10 ¹⁾ | GU10 | Yes | No | A++ | 3 kWh/1000h | DRPAR-2,6/840-220-240-GU10-50/36 |
| ST PAR 16 35 36° 2.6 W/2700K GU10 ¹⁾ | GU10 | Yes | No | A++ | 3 kWh/1000h | DRPAR-2,6/840-220-240-GU10-50/36 |
| ST PAR 16 35 36° 2.6 W/4000K GU10 ¹⁾ | GU10 | Yes | No | A++ | 3 kWh/1000h | DRPAR-2,6/840-220-240-GU10-50/36 |
| ST PAR 16 35 36° 2.6 W/2700K GU10 ¹⁾ | GU10 | Yes | No | A++ | 3 kWh/1000h | DRPAR-2,6/840-220-240-GU10-50/36 |
| ST PAR 16 50 36° 4.3 W/2700K GU10 ¹⁾ | GU10 | Yes | No | A+ | 5 kWh/1000h | DRPAR-4,3/840-220-240-GU10-50/36 |
| ST PAR 16 50 36° 4.5 W/4000K GU10 ¹⁾ | GU10 | Yes | No | A+ | 5 kWh/1000h | DRPAR-4,3/840-220-240-GU10-50/36 |

| Product description | Additional product data | | Capabilities | Certificates & standards | | Country-specific categorizations |
|--|-----------------------------|--------------|--------------|--------------------------|--------------------|-----------------------------------|
| | Base (standard designation) | Mercury-free | Dimmable | Energy efficiency class | Energy consumption | ILCOS |
| ST PAR 16 50 36° 4.3 W/2700K GU10 ¹⁾ | GU10 | Yes | No | A++ | 5 kWh/1000h | DRPAR-4,3/840-220-240-GU10-50/36 |
| ST PAR 16 50 36° 4.3 W/4000K GU10 ¹⁾ | GU10 | Yes | No | A+ | 5 kWh/1000h | DRPAR-4,3/840-220-240-GU10-50/36 |
| ST PAR 16 50 36° 4.3 W/2700K GU10 ¹⁾ | GU10 | Yes | No | A+ | 5 kWh/1000h | DRPAR-4,3/840-220-240-GU10-50/36 |
| ST PAR 16 50 36° 4.5 W/2700K E14 ¹⁾ | E14 | Yes | No | A+ | 5 kWh/1000h | |
| ST PAR 16 50 36° 4.3 W/2700K GU10 ¹⁾ | GU10 | Yes | No | A++ | 5 kWh/1000h | |
| ST PAR 16 50 120° 4.3 W/2700K GU10 ¹⁾ | GU10 | Yes | No | A+ | 5 kWh/1000h | DRPAR-4,3/827-220-240-GU10-50/36 |
| ST PAR 16 50 120° 4.3 W/4000K GU10 ¹⁾ | GU10 | Yes | No | A+ | 5 kWh/1000h | DRPAR-4,3/840-220-240-GU10-50/36 |
| ST PAR 16 80 36° 6.9 W/2700K GU10 ¹⁾ | GU10 | Yes | No | A+ | 7 kWh/1000h | DRPAR-6,9/827-220-240-GU10-50/36 |
| ST PAR 16 80 36° 6.9 W/4000K GU10 ¹⁾ | GU10 | Yes | No | A+ | 7 kWh/1000h | DRPAR-6,9/840-220-240-GU10-50/36 |
| ST PAR 16 80 120° 6.9 W/2700K GU10 ¹⁾ | GU10 | Yes | No | A+ | 7 kWh/1000h | DRPAR-6,9/827-220-240-GU10-50/120 |
| ST PAR 16 80 120° 6.9 W/4000K GU10 ¹⁾ | GU10 | Yes | No | A+ | 7 kWh/1000h | DRPAR-6,9/840-220-240-GU10-50/120 |

¹⁾ All technical parameters apply to the entire lamp/Due to the complex production process for light-emitting diodes, the typical values shown for the technical LED parameters are purely statistical values that do not necessarily match the actual technical parameters of each individual product, which can vary from the typical value

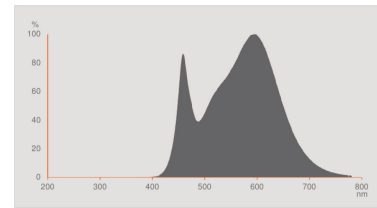
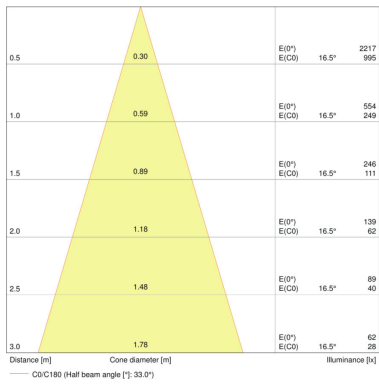


ST PAR 16 35 36° 2.6 W/2700K GU10,
 ST PAR 16 35 36° 3 W/2700K GU10, ST
 PAR 16 35 36° 2.6 W/2700K GU10, ST
 PAR 16 35 36° 2.6 W/4000K GU10, ST
 PAR 16 35 36° 2.6 W/2700K GU10, ST
 PAR 16 50 36° 4.3 W/2700K GU10, ST
 PAR 16 50 36° 4.5 W/4000K GU10, ST
 PAR 16 50 36° 4.3 W/2700K GU10, ST
 PAR 16 50 36° 4.3 W/2700K GU10, ST
 PAR 16 50 120° 4.3 W/2700K GU10, ST
 PAR 16 50 120° 4.3 W/4000K GU10

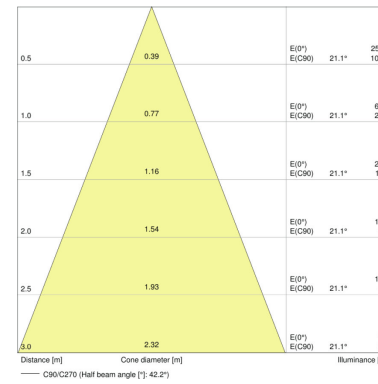
ST PAR 16 35 36° 2.6 W/2700K GU10,
 ST PAR 16 50 36° 4.3 W/4000K GU10,
 ST PAR 16 50 36° 4.3 W/2700K GU10,
 ST PAR 16 80 36° 6.9 W/2700K GU10,
 ST PAR 16 80 36° 6.9 W/4000K GU10,
 ST PAR 16 80 120° 6.9 W/2700K GU10,
 ST PAR 16 80 120° 6.9 W/4000K GU10

ST PAR 16 50 36° 4.5 W/2700K E14

ST PAR 16 35 36° 2.6 W/2700K GU10,
 ST PAR 16 35 36° 2.6 W/2700K GU10,
 ST PAR 16 35 36° 3 W/2700K GU10, ST
 PAR 16 35 36° 2.6 W/2700K GU10, ST
 PAR 16 35 36° 2.6 W/2700K GU10, ST
 PAR 16 50 36° 4.3 W/2700K GU10, ST
 PAR 16 50 36° 4.3 W/2700K GU10, ST
 PAR 16 50 120° 4.3 W/2700K GU10

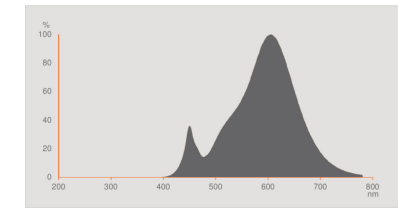


ST PAR 16 35 36° 2.6 W/4000K GU10

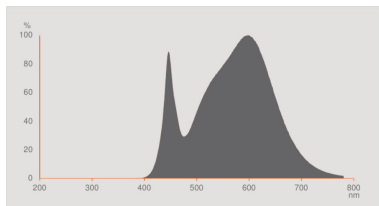


ST PAR 16 50 36° 4.5 W/4000K GU10,
ST PAR 16 50 36° 4.3 W/4000K GU10,
ST PAR 16 50 120° 4.3 W/4000K GU10

ST PAR 16 50 36° 4.3 W/2700K GU10,
ST PAR 16 50 36° 4.3 W/2700K GU10



ST PAR 16 80 36° 6.9 W/2700K GU10,
ST PAR 16 80 120° 6.9 W/2700K GU10



ST PAR 16 80 36° 6.9 W/4000K GU10,
ST PAR 16 80 120° 6.9 W/4000K GU10

APPLICATION ADVICE

For more detailed application information and graphics please see product datasheet.

LOGISTICAL DATA

| Product code | Packaging unit (Pieces/Unit) | Dimensions (length x width x height) | Gross weight | Volume |
|---------------|------------------------------|--------------------------------------|--------------|-----------------------|
| 4058075233270 | Shipping carton box 10 | 266 mm x 111 mm x 71 mm | 585.00 g | 2.10 dm ³ |
| 4058075260245 | Shipping carton box 10 | 276 mm x 94 mm x 70 mm | 592.00 g | 1.82 dm ³ |
| 4052899958739 | Shipping carton box 10 | 290 mm x 254 mm x 134 mm | 685.00 g | 9.87 dm ³ |
| 4052899388185 | Shipping carton box 20 | 290 mm x 254 mm x 134 mm | 1046.00 g | 9.87 dm ³ |
| 4052899958746 | Shipping carton box 10 | 290 mm x 254 mm x 134 mm | 637.00 g | 9.87 dm ³ |
| 4052899388208 | Shipping carton box 30 | 506 mm x 148 mm x 199 mm | 1505.00 g | 14.90 dm ³ |
| 4058075112575 | Shipping carton box 10 | 266 mm x 111 mm x 71 mm | 520.00 g | 2.10 dm ³ |
| 4058075112599 | Shipping carton box 10 | 266 mm x 111 mm x 71 mm | 597.00 g | 2.10 dm ³ |
| 4052899388161 | Shipping carton box 30 | 506 mm x 148 mm x 199 mm | 1713.00 g | 14.90 dm ³ |
| 4052899958791 | Shipping carton box 10 | 290 mm x 254 mm x 134 mm | 683.00 g | 9.87 dm ³ |
| 4052899981072 | Shipping carton box 20 | 290 mm x 254 mm x 134 mm | 1214.00 g | 9.87 dm ³ |
| 4052899388147 | Shipping carton box 20 | 290 mm x 254 mm x 134 mm | 1047.00 g | 9.87 dm ³ |
| 4052899958777 | Shipping carton box 10 | 290 mm x 254 mm x 134 mm | 690.00 g | 9.87 dm ³ |

| Product code | Packaging unit (Pieces/Unit) | Dimensions (length x width x height) | Gross weight | Volume |
|---------------|------------------------------|--------------------------------------|--------------|----------------------|
| 4058075264397 | Shipping carton box 10 | 290 mm x 254 mm x 134 mm | 720.00 g | 9.87 dm ³ |
| 4058075260269 | Shipping carton box 10 | 276 mm x 94 mm x 70 mm | 615.00 g | 1.82 dm ³ |
| 4052899958784 | Shipping carton box 10 | 290 mm x 254 mm x 134 mm | 641.00 g | 9.87 dm ³ |
| 4052899958838 | Shipping carton box 10 | 290 mm x 254 mm x 134 mm | 674.00 g | 9.87 dm ³ |
| 4052899958852 | Shipping carton box 10 | 290 mm x 254 mm x 134 mm | 753.00 g | 9.87 dm ³ |
| 4058075112612 | Shipping carton box 10 | 266 mm x 111 mm x 71 mm | 632.00 g | 2.10 dm ³ |
| 4058075112636 | Shipping carton box 10 | 266 mm x 111 mm x 71 mm | 635.00 g | 2.10 dm ³ |
| 4058075815629 | Shipping carton box 10 | 290 mm x 254 mm x 134 mm | 663.00 g | 9.87 dm ³ |
| 4058075815865 | Shipping carton box 10 | 290 mm x 254 mm x 134 mm | 679.00 g | 9.87 dm ³ |
| 4058075815605 | Shipping carton box 10 | 290 mm x 254 mm x 134 mm | 674.00 g | 9.87 dm ³ |

The mentioned product code describes the smallest quantity unit which can be ordered. One shipping unit can contain one or more single products. When placing an order, for the quantity please enter single or multiples of a shipping unit.

REFERENCES / LINKS

For further products and actual information concerning LED lamps see

- ▶ www.ledvance.com/ledlamps

For Guarantee see

- ▶ www.ledvance.com/guarantee

DISCLAIMER

Subject to change without notice. Errors and omission excepted. Always make sure to use the most recent release.