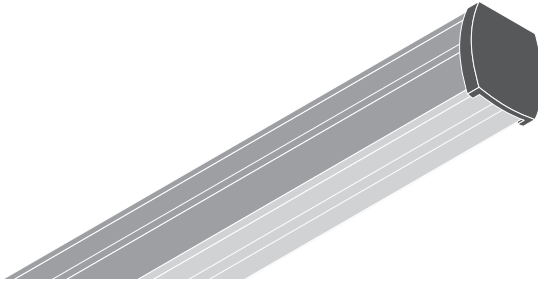
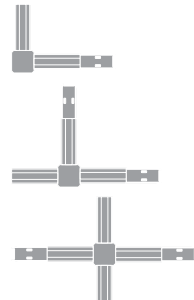


## TruSys® FLEX TRUNKING SYSTEM DALI

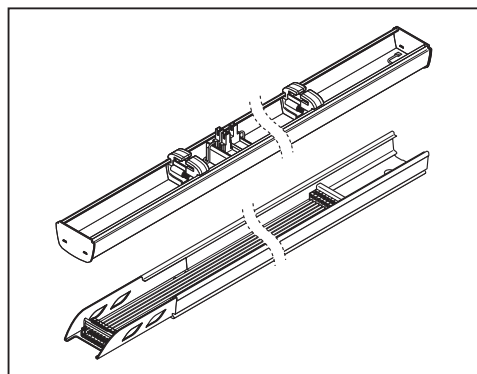


	EAN	l x w x h [mm]	W	VAC	Hz	lm	lm/W
TRUSYS FLEX P 35W 865 VW CL WT DALI	4099854191039	1500x77.7x39.4	35	220-240V	0/50/60 Hz	5700	165
TRUSYS FLEX P 35W 865 W CL WT DALI	4099854191053	1500x77.7x39.4	35	220-240V	0/50/60 Hz	5800	170
TRUSYS FLEX P 35W 865 N CL WT DALI	4099854191077	1500x77.7x39.4	35	220-240V	0/50/60 Hz	5800	170
TRUSYS FLEX P 35W 865 VN CL WT DALI	4099854191091	1500x77.7x39.4	35	220-240V	0/50/60 Hz	5800	170
TRUSYS FLEX P 35W 865 DS CL WT DALI	4099854191114	1500x77.7x39.4	35	220-240V	0/50/60 Hz	5700	165
TRUSYS FLEX P 35W 865 W OP WT DALI	4099854191138	1500x77.7x39.4	35	220-240V	0/50/60 Hz	5600	160
TRUSYS FLEX P 35W 865 WW CL WT DALI	4099854191152	1500x77.7x39.4	35	220-240V	0/50/60 Hz	5700	165
TRUSYS FLEX P 50W 865 VW CL WT DALI	4099854191190	1500x77.7x39.4	50	220-240V	0/50/60 Hz	8600	175
TRUSYS FLEX P 50W 865 W CL WT DALI	4099854191314	1500x77.7x39.4	50	220-240V	0/50/60 Hz	8600	175
TRUSYS FLEX P 50W 865 N CL WT DALI	4099854191336	1500x77.7x39.4	50	220-240V	0/50/60 Hz	8600	175
TRUSYS FLEX P 50W 865 VN CL WT DALI	4099854191350	1500x77.7x39.4	50	220-240V	0/50/60 Hz	8600	175
TRUSYS FLEX P 50W 865 DS CL WT DALI	4099854191374	1500x77.7x39.4	50	220-240V	0/50/60 Hz	8600	175
TRUSYS FLEX P 50W 865 W OP WT DALI	4099854191398	1500x77.7x39.4	50	220-240V	0/50/60 Hz	8300	175
TRUSYS FLEX P 50W 865 WW CL WT DALI	4099854191411	1500x77.7x39.4	50	220-240V	0/50/60 Hz	8600	175
TRUSYS FLEX P 70W 865 VW CL WT DALI	4099854191459	1500x77.7x39.4	70	220-240V	0/50/60 Hz	12100	175
TRUSYS FLEX P 70W 865 W CL WT DALI	4099854191473	1500x77.7x39.4	70	220-240V	0/50/60 Hz	12100	175
TRUSYS FLEX P 70W 865 N CL WT DALI	4099854191497	1500x77.7x39.4	70	220-240V	0/50/60 Hz	12100	175
TRUSYS FLEX P 70W 865 VN CL WT DALI	4099854191510	1500x77.7x39.4	70	220-240V	0/50/60 Hz	12100	175
TRUSYS FLEX P 70W 865 DS CL WT DALI	4099854191534	1500x77.7x39.4	70	220-240V	0/50/60 Hz	12100	175
TRUSYS FLEX P 70W 865 W OP WT DALI	4099854191558	1500x77.7x39.4	70	220-240V	0/50/60 Hz	11700	175
TRUSYS FLEX P 70W 865 WW CL WT DALI	4099854191572	1500x77.7x39.4	70	220-240V	0/50/60 Hz	12100	175
TRUSYS FLEX P RAIL 1500 8P WT	4058075781696	1650x70.2x38.8	-	-	-	-	-
TRUSYS FLEX P RAIL 1500 8P END WT	4058075781719	1500x70.2x38.8	-	-	-	-	-
TRUSYS FLEX P RAIL 3000 8P WT	4058075781771	3150x70.2x38.8	-	-	-	-	-
TRUSYS FLEX P RAIL 4500 8P WT	4058075793170	4650x70.2x38.8	-	-	-	-	-

	EAN	l x w x h [mm]
TRUSYS FLEX L01-NODE 8P WT	4058075782099	446x296x59
TRUSYS FLEX L01-NODE 5P WT	4058075782075	446x296x59
TRUSYS FLEX L02-NODE 5P WT	4058075782082	446x296x59
TRUSYS FLEX L02-NODE 8P WT	4058075782105	446x296x59
TRUSYS FLEX T01-NODE 5P WT	4058075782112	650x446x59
TRUSYS FLEX T01-NODE 8P WT	4058075782143	650x446x59
TRUSYS FLEX T02-NODE 5P WT	4058075782129	650x446x59
TRUSYS FLEX T02-NODE 8P WT	4058075782150	650x446x59
TRUSYS FLEX T03-NODE 5P WT	4058075782136	800x296x59
TRUSYS FLEX T03-NODE 8P WT	4058075782167	800x296x59
TRUSYS FLEX X01-NODE 5P WT	4058075782174	800x650x59
TRUSYS FLEX X01-NODE 8P WT	4058075782181	800x650x59

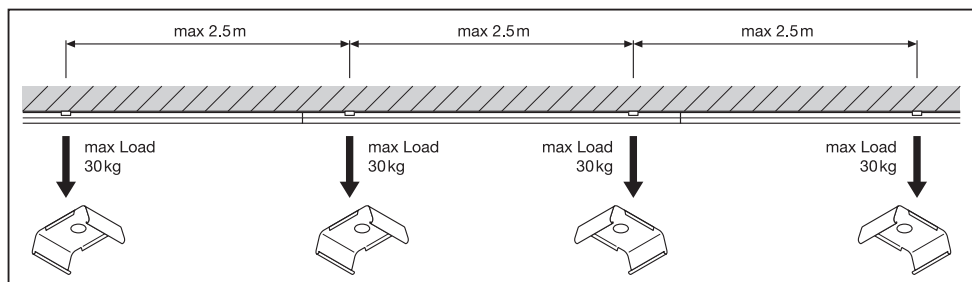


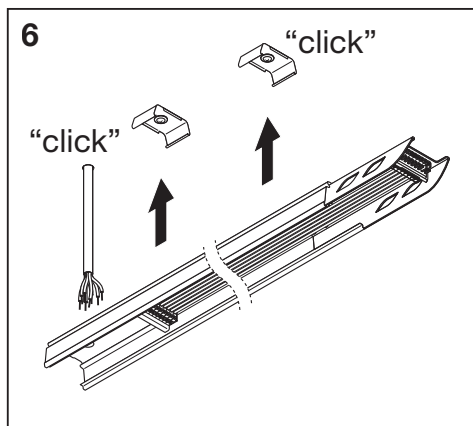
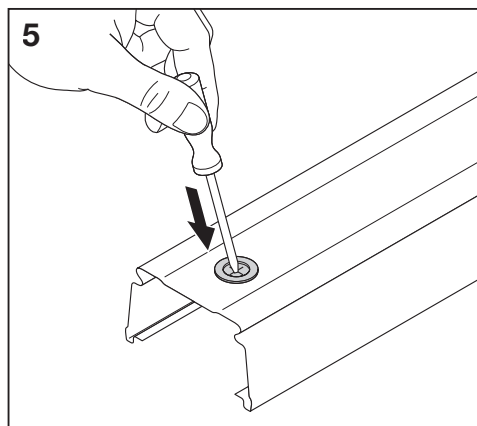
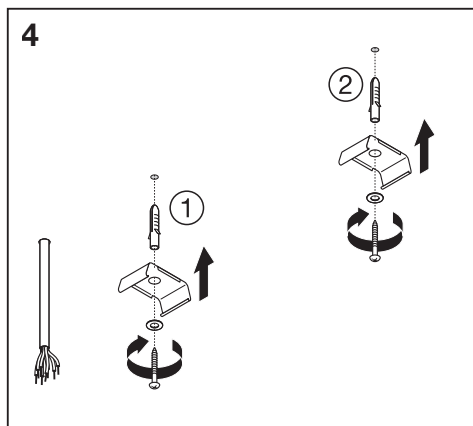
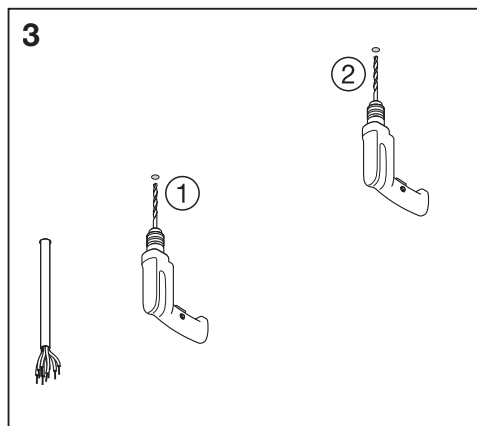
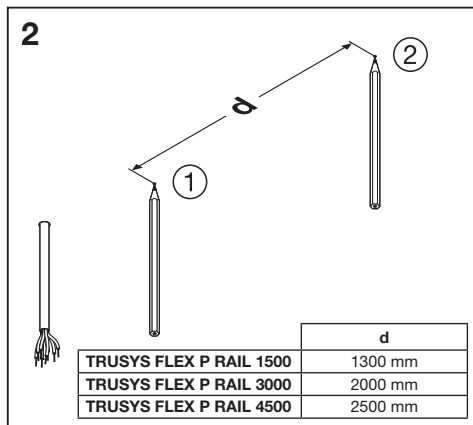
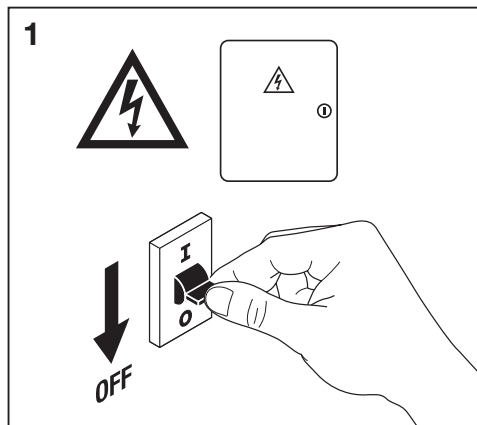
	EAN	K	IP	IK	∠	R <sub>a</sub>	° (°C)	PF	⊙	👤
TRUSYS FLEX P 35W 865 VW CL WT DALI	4099854191039	6500	40	04	120°	≥80	-25...+40	≥0.95	✓	1.7 kg
TRUSYS FLEX P 35W 865 W CL WT DALI	4099854191053	6500	40	04	90°	≥80	-25...+40	≥0.95	✓	1.7 kg
TRUSYS FLEX P 35W 865 N CL WT DALI	4099854191077	6500	40	04	60°	≥80	-25...+40	≥0.95	✓	1.7 kg
TRUSYS FLEX P 35W 865 VN CL WT DALI	4099854191091	6500	40	04	30°	≥80	-25...+40	≥0.95	✓	1.7 kg
TRUSYS FLEX P 35W 865 DS CL WT DALI	4099854191114	6500	40	04	2 x 30°	≥80	-25...+40	≥0.95	✓	1.7 kg
TRUSYS FLEX P 35W 865 W OP WT DALI	4099854191138	6500	40	04	90°	≥80	-25...+40	≥0.95	✓	1.7 kg
TRUSYS FLEX P 35W 865 WW CL WT DALI	4099854191152	6500	40	04	40°	≥80	-25...+40	≥0.95	✓	1.7 kg
TRUSYS FLEX P 50W 865 VW CL WT DALI	4099854191190	6500	40	04	120°	≥80	-25...+40	≥0.94	✓	1.7 kg
TRUSYS FLEX P 50W 865 W CL WT DALI	4099854191312	6500	40	04	90°	≥80	-25...+40	≥0.94	✓	1.7 kg
TRUSYS FLEX P 50W 865 N CL WT DALI	4099854191336	6500	40	04	60°	≥80	-25...+40	≥0.94	✓	1.7 kg
TRUSYS FLEX P 50W 865 VN CL WT DALI	4099854191350	6500	40	04	30°	≥80	-25...+40	≥0.94	✓	1.7 kg
TRUSYS FLEX P 50W 865 DS CL WT DALI	4099854191374	6500	40	04	2 x 30°	≥80	-25...+40	≥0.94	✓	1.7 kg
TRUSYS FLEX P 50W 865 W OP WT DALI	4099854191398	6500	40	04	90°	≥80	-25...+40	≥0.94	✓	1.7 kg
TRUSYS FLEX P 50W 865 WW CL WT DALI	4099854191411	6500	40	04	40°	≥80	-25...+40	≥0.94	✓	1.7 kg
TRUSYS FLEX P 70W 865 VW CL WT DALI	4099854191459	6500	40	04	120°	≥80	-25...+35	≥0.95	✓	1.7 kg
TRUSYS FLEX P 70W 865 W CL WT DALI	4099854191473	6500	40	04	90°	≥80	-25...+35	≥0.95	✓	1.7 kg
TRUSYS FLEX P 70W 865 N CL WT DALI	4099854191497	6500	40	04	60°	≥80	-25...+35	≥0.95	✓	1.7 kg
TRUSYS FLEX P 70W 865 VN CL WT DALI	4099854191510	6500	40	04	30°	≥80	-25...+35	≥0.95	✓	1.7 kg
TRUSYS FLEX P 70W 865 DS CL WT DALI	4099854191534	6500	40	04	2 x 30°	≥80	-25...+35	≥0.95	✓	1.7 kg
TRUSYS FLEX P 70W 865 W OP WT DALI	4099854191558	6500	40	04	90°	≥80	-25...+35	≥0.95	✓	1.7 kg
TRUSYS FLEX P 70W 865 WW CL WT DALI	4099854191572	6500	40	04	40°	≥80	-25...+35	≥0.95	✓	1.7 kg
TRUSYS FLEX P RAIL 1500 8P WT	4058075781696	-	-	04	-	≥80	-	-	-	1.8 kg
TRUSYS FLEX P RAIL 1500 8P END WT	4058075781719	-	-	04	-	≥80	-	-	-	1.5 kg
TRUSYS FLEX P RAIL 3000 8P WT	4058075781771	-	-	04	-	≥80	-	-	-	3.3 kg
TRUSYS FLEX P RAIL 4500 8P WT	4058075793170	-	-	04	-	≥80	-	-	-	4.6 kg



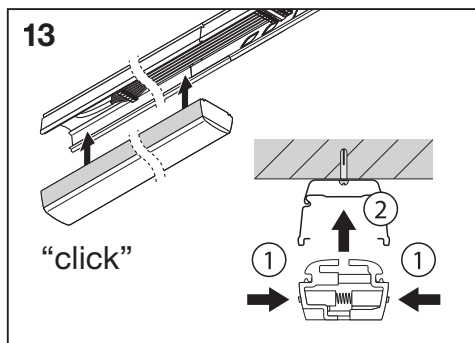
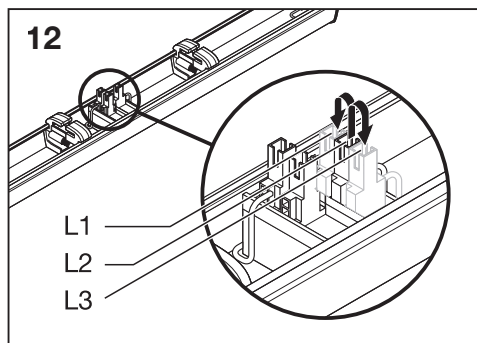
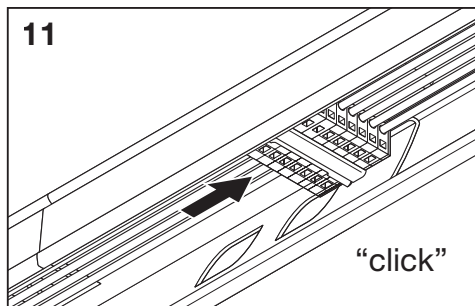
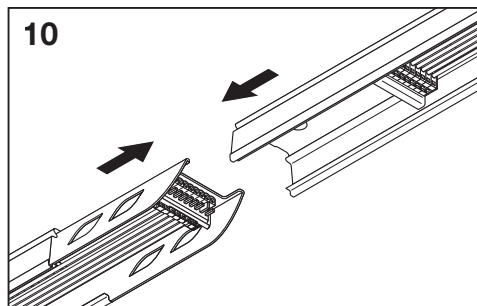
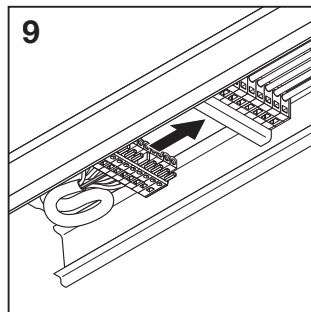
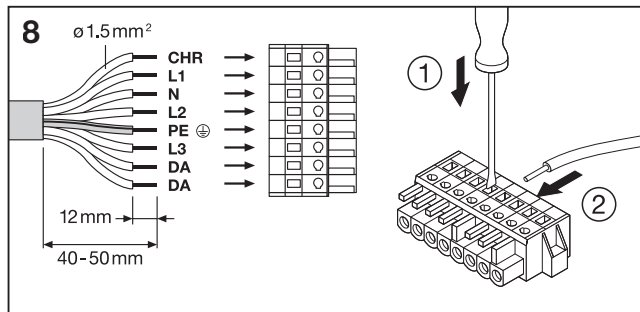
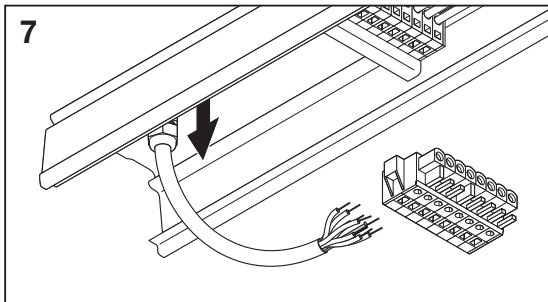
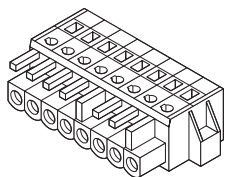
**TRUSYS FLEX  
SURFACE CLIP**  
EAN 4058075781894

2x

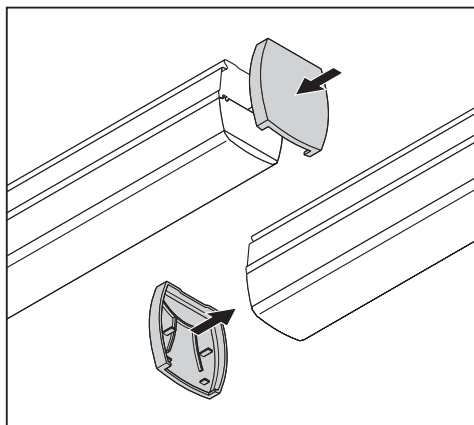
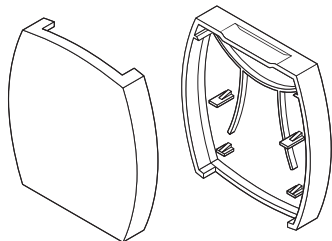




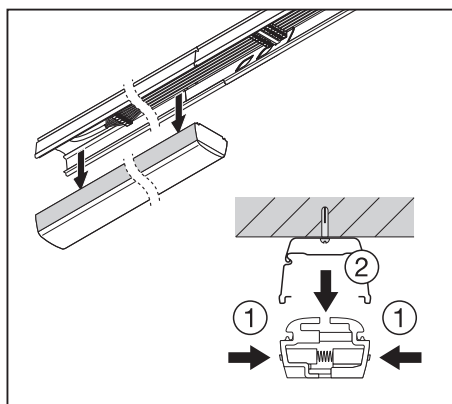
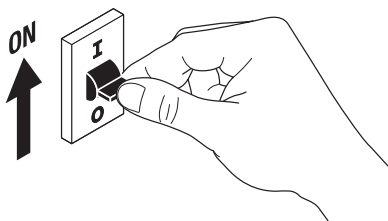
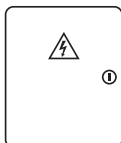
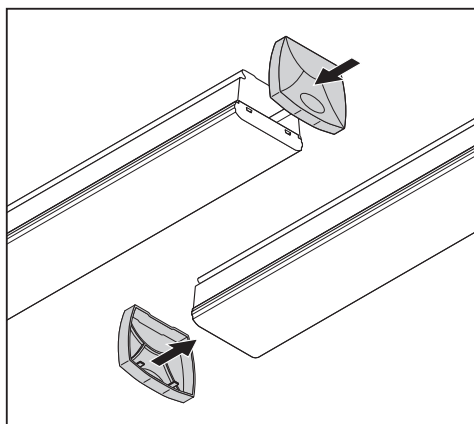
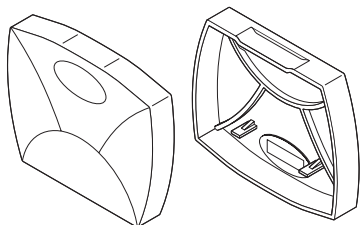
**TRUSYS FLEX FEED IN 8P**  
EAN 4058075781955



**TRUSYS FLEX**  
**END CAP RAIL WT**  
EAN 4058075781856

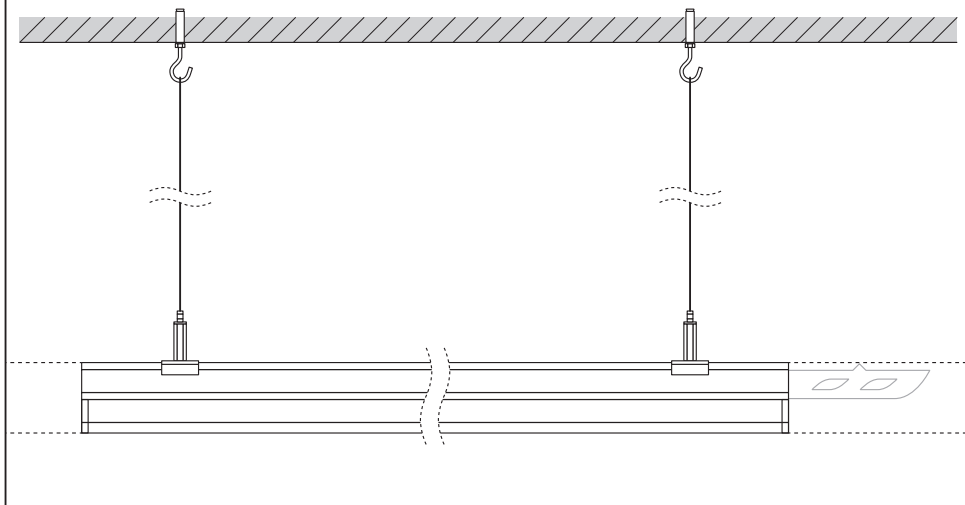
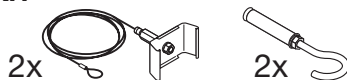


**TRUSYS FLEX**  
**END CAP LOW RAIL WT**  
EAN 4058075781870



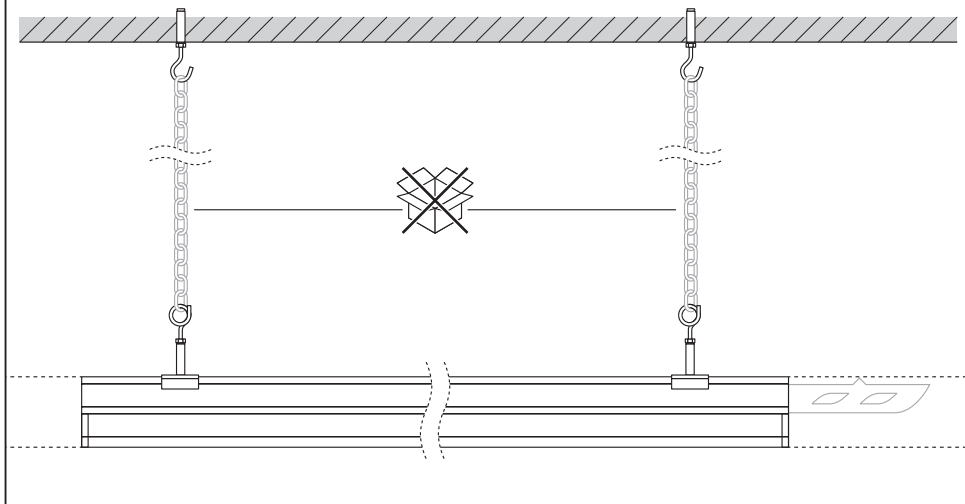
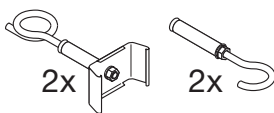
### TRUSYS FLEX SUSPENSION KIT

EAN 4058075781795



### TRUSYS FLEX CHAIN KIT

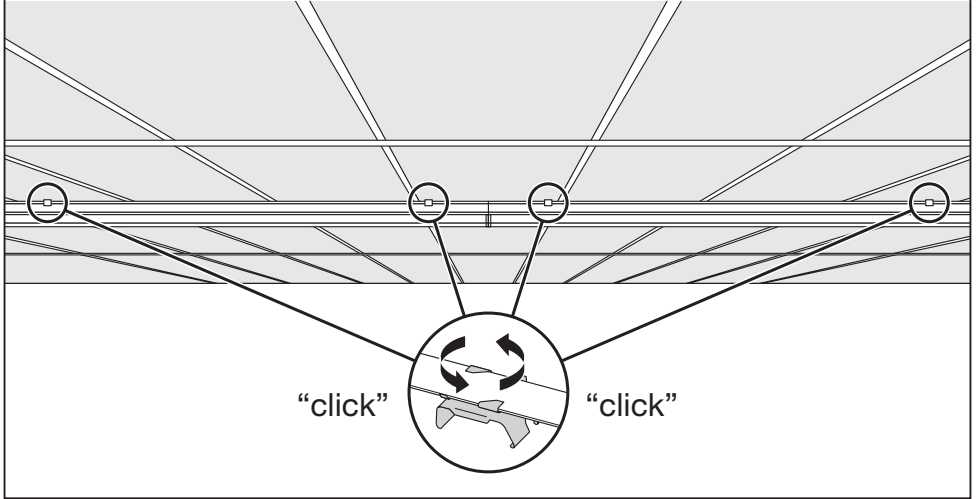
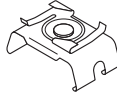
EAN 4058075781818



**TRUSYS FLEX GRID CEILING CLIP**

EAN 4058075781917

2x

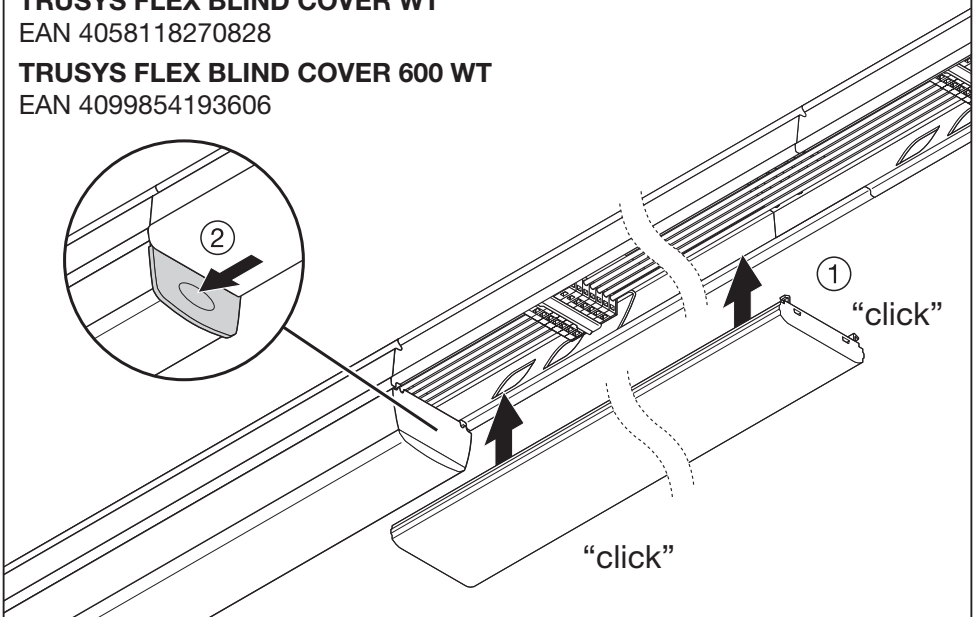


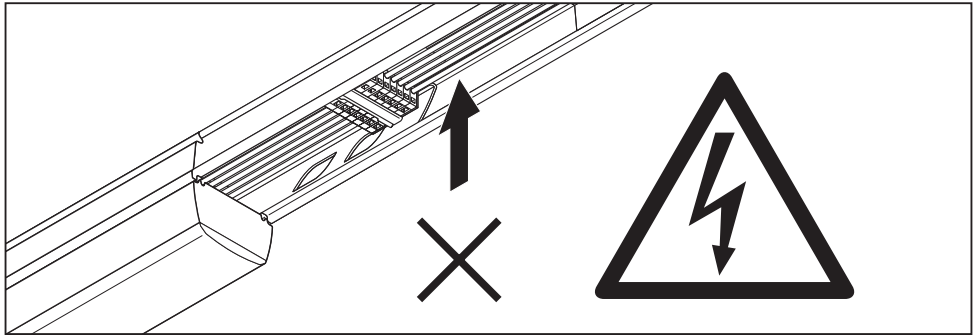
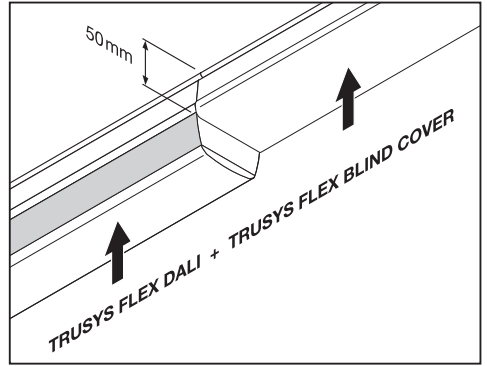
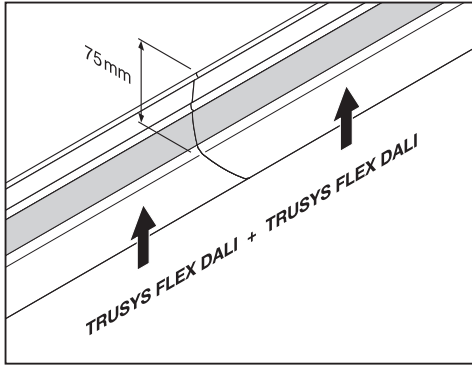
**TRUSYS FLEX BLIND COVER WT**

EAN 4058118270828

**TRUSYS FLEX BLIND COVER 600 WT**

EAN 4099854193606





	1x TRUSYS FLEX P RAIL	2x TRUSYS FLEX P RAIL	...	nx TRUSYS FLEX P RAIL	1x TRUSYS FLEX P RAIL END	
		C10 A	B16 A	C16 A	Inrush current	Inrush Charge Time
TRUSYS FLEX P 35W 865 DALI	15	18		25	22.4 A	176 µs
TRUSYS FLEX P 50W 865 DALI	7	9		12	43.8 A	188 µs
TRUSYS FLEX P 70W 865 DALI	7	9		12	43.8 A	188 µs



LEDVANCE GmbH  
Steinerne Furt 62  
86167 Augsburg, Germany  
[www.ledvance.com](http://www.ledvance.com)



FR  
Cet appareil et ses accessoires se recyclent  
À DÉPOSER EN MAGASIN À DÉPOSER EN DÉCHÈTERIE  
OU

C10449058  
G11183767  
21.12.23

Points de collecte sur [www.quefairemesdechets.fr](http://www.quefairemesdechets.fr)

© LEDVANCE Ltd, Aquila House  
Delta Crescent, Westbrook, Warrington  
WA5 7NR, United Kingdom