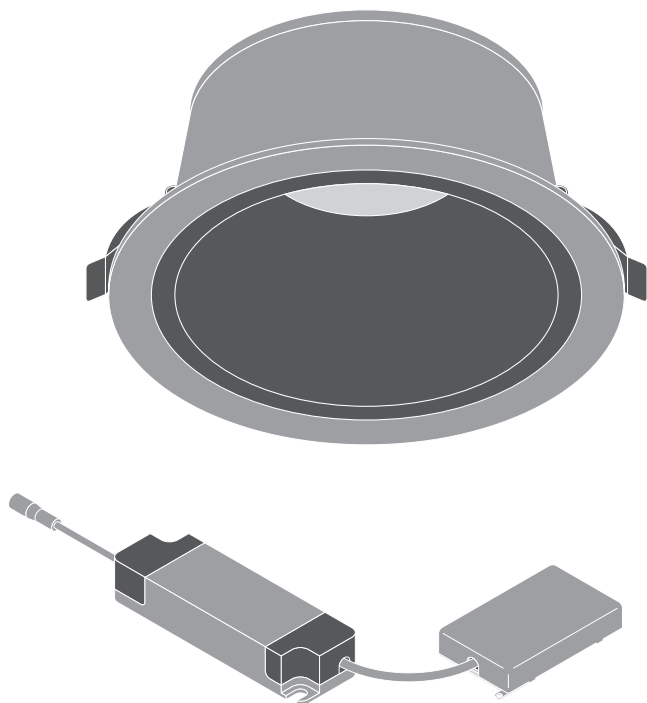


# BIOLUX HCL DOWNLIGHT DN150 ZIGBEE

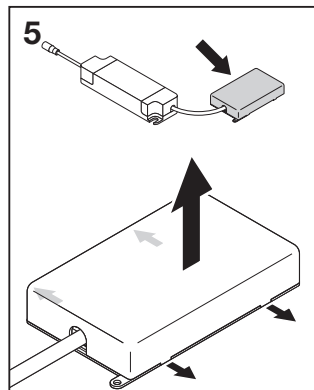
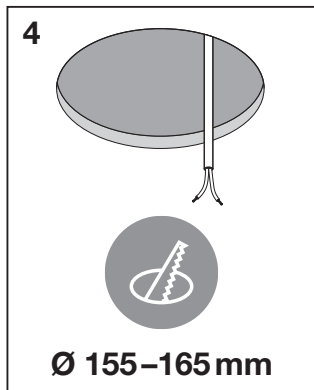
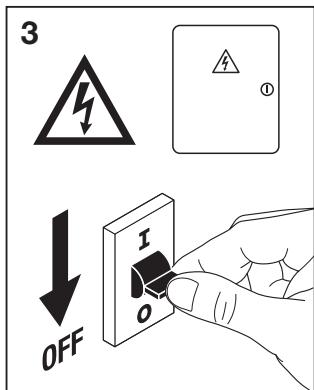
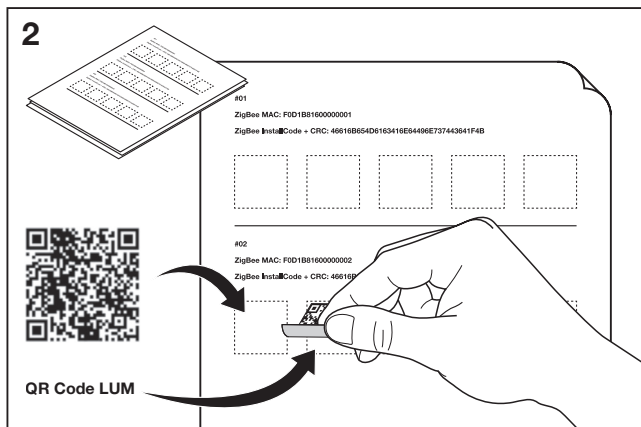
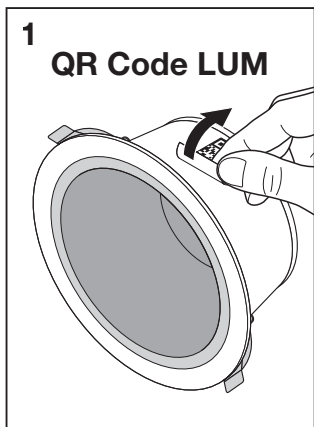
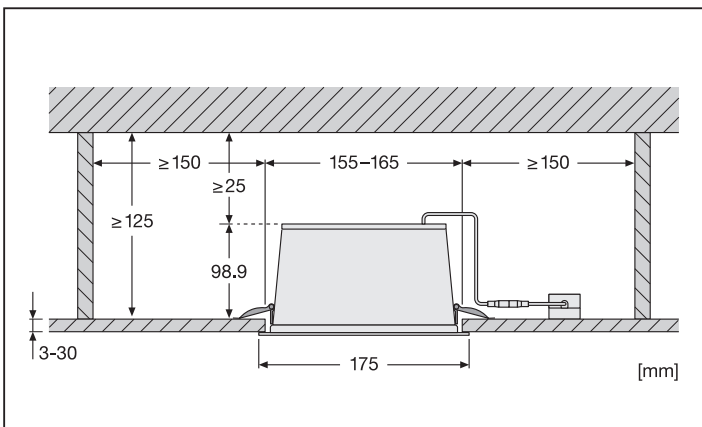
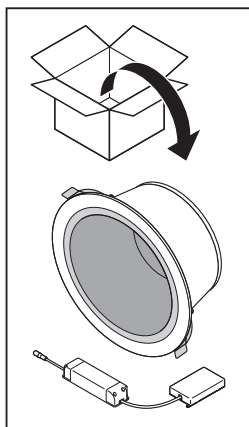
LEDVANCE



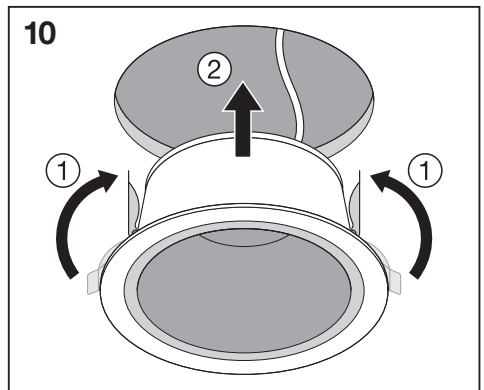
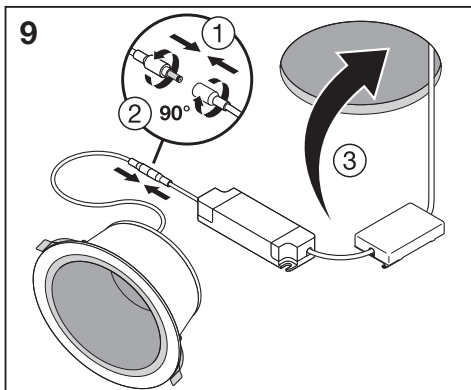
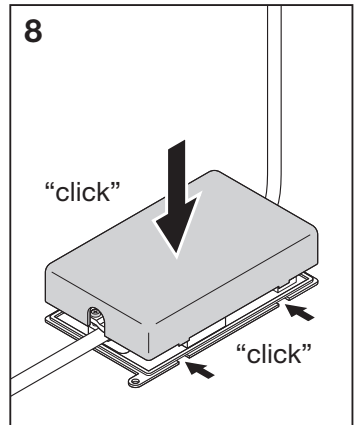
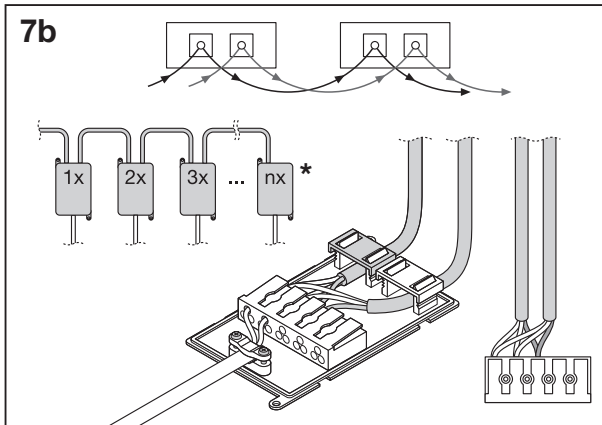
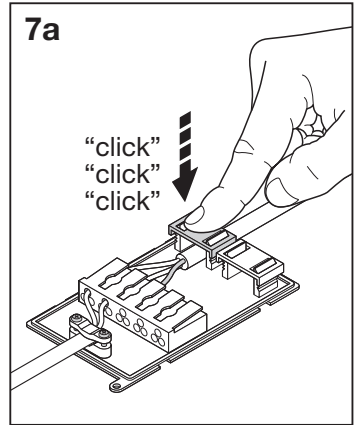
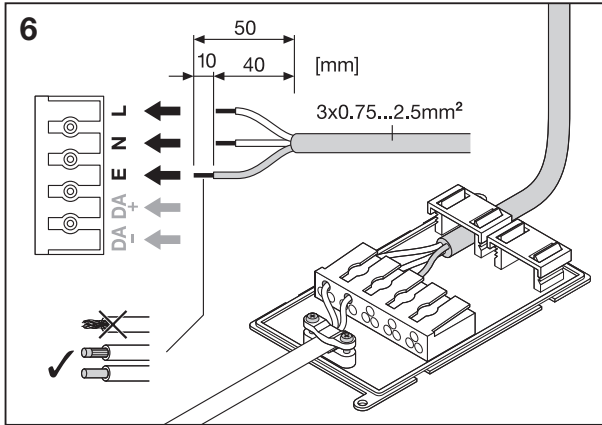
	EAN	Ø x h [mm]	W	V <sub>AC</sub>	Hz	lm	lm/W	K
BIOLUX HCL DL DN150 S 20W TW ZB	4058075724600	175x99	20	220-240V	50/60 Hz	2100	105	2700 - 6500

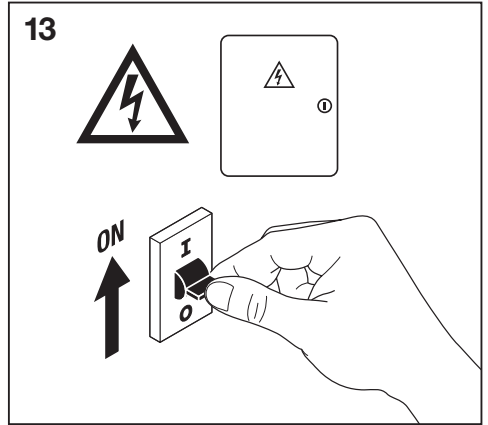
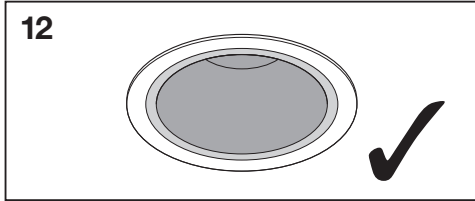
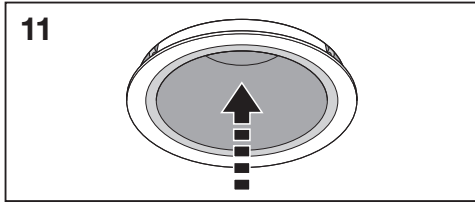
	EAN	IP	IK	∠	R <sub>a</sub>	⊡ (°C)	PF	👤
BIOLUX HCL DL DN150 S 20W TW ZB	4058075724600	20	03	60°	≥90	-20...+40	>0.9	0.6 kg

# BIOLUX HCL DOWNLIGHT DN150 ZIGBEE

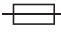








# BIOLUX HCL DOWNLIGHT DN150 ZIGBEE





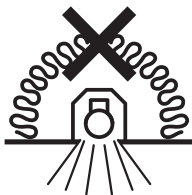
\*

						
n=227	n=145	n=90	n=294	n=230	n=147	n=92

**LEDVANCE  
BIOLUX Human Centric  
Lighting Zigbee System**

**LEDVANCE  
VIVARES  
Zigbee System**

**Zigbee  
3.0  
Systems**



C10449057  
G11212007  
07.11.24

LEDVANCE SASU  
CQM, 5 rue d'Altorf  
67120 Molsheim France  
[www.ledvance.com](http://www.ledvance.com)

© LEDVANCE Ltd, Sterling House,  
810 Mandarin Court, Warrington,  
Cheshire, WA1 1GG, United Kingdom