

PRODUCT DATASHEET

ENDURA STYLE CRYSTAL 40CM Post 4.5W

ENDURA STYLE CRYSTAL | Stainless steel wall luminaires and bollards with indirect illumination



TECHNICAL DATA

Electrical data

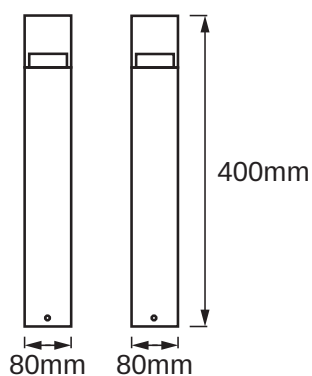
Nominal wattage	4.50 W
Nominal voltage	220...240 V
Mains frequency	50...60 Hz
Power factor λ	> 0.5
Protection class	I
Operating mode	Mains voltage

Photometrical data

Luminous flux	400 lm
Luminous efficacy	89 lm/W
Color temperature	3000 K
Light color (designation)	Warm White
Color rendering index Ra	≥ 80
Standard deviation of color matching	< 6 sdcn

Dimensions & Weight

Length	80.00 mm
Width	80.00 mm
Height	400.00 mm
Product weight	1250.00 g



Materials & Colors

Product color	Steel
Housing color	Steel
Body material	Steel
Cover material	Polymethylmethacrylate (PMMA)
Mercury content	0.0 mg

Application & Mounting

Ambient temperature range	-20...+40 °C
Type of connection	Terminal, 3-Pole (L, N, PE)
Type of protection	IP44
Dimmable	No
Mounting type	Surface
Mounting location	Ground
LED module replaceable	Not replaceable





Lifespan

Lifespan L70/B50 at 25 °C	25000 h
Number of switching cycles	12500

Certificates & Standards

Standards	CE / EAC / REACH / RoHS
-----------	-------------------------

DOWNLOAD DATA

DOWNLOAD DATA	
	User instruction ENDURA STYLE CRYSTAL
	Tender documents Tender Text 4058075474253
	Declarations of conformity ENDURA STYLE CRYSTAL
	Packaging insert Legal insert

LOGISTICAL DATA

Product code	Packaging unit (Pieces/Unit)	Dimensions (length x width x height)	Gross weight	Volume
--------------	------------------------------	--------------------------------------	--------------	--------

Product code	Packaging unit (Pieces/Unit)	Dimensions (length x width x height)	Gross weight	Volume
4058075474253	Folding box 1	107 mm x 107 mm x 424 mm	1363.00 g	4.85 dm ³
4058075474260	Shipping box 6	335 mm x 230 mm x 440 mm	8781.00 g	33.90 dm ³

The mentioned product code describes the smallest quantity unit which can be ordered. One shipping unit can contain one or more single products. When placing an order, for the quantity please enter single or multiples of a shipping unit.

DISCLAIMER

Subject to change without notice. Errors and omission excepted. Always make sure to use the most recent release.